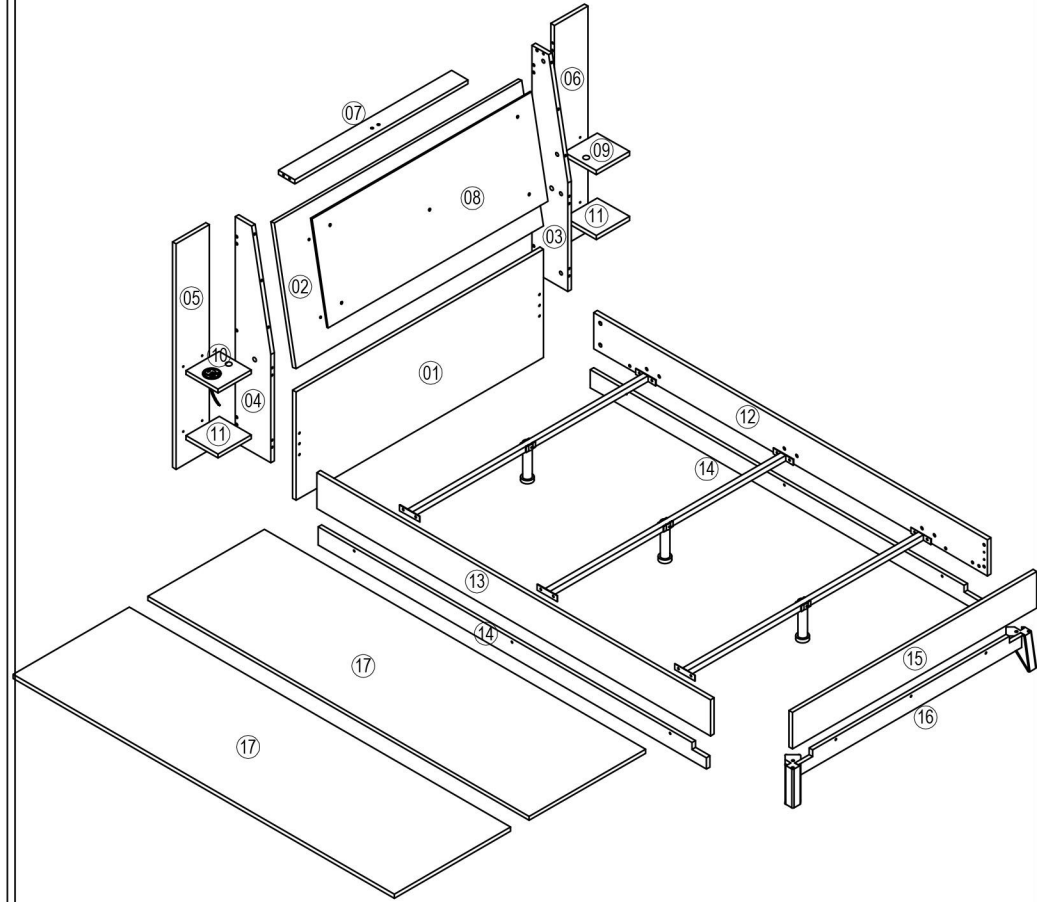


## ACCESSORIES LIST

<p>ACCESSORIE NO : 317 10'LUK MINİFIX MİL</p> <p>10 ADET</p>	<p>ACCESSORIE NO : 002 TİTUS MINİFIX GÖVDE</p> <p>10 ADET</p>	<p>ACCESSORIE NO : 528 USB VE SPOT IŞIK TAKIMI</p> <p>1 TAKIM</p>	<p>ACCESSORIE NO : 125 M6*60 ALYAN VİDA</p> <p>10 ADET</p>	<p>ACCESSORIE NO : 510 #15 METAL SİLİNDİRİK SOMUN</p> <p>10 ADET</p>
<p>ACCESSORIE NO : 004 Ø8x30 KAVELA</p> <p>14 ADET</p>	<p>ACCESSORIE NO : 147 AYAKUCU KÖŞE DEMİRİ</p> <p>2 ADET</p>	<p>ACCESSORIE NO : 114 M6*15 YSB VİDA</p> <p>20 ADET</p>	<p>ACCESSORIE NO : 421 MANNESMAN 1210</p> <p>3 ADET</p>	<p>ACCESSORIE NO : 420 PLS.KARYOLA AYAK</p> <p>3 ADET</p>
<p>ACCESSORIE NO : 105 M6*30 VİDA</p> <p>16 ADET</p>	<p>ACCESSORIE NO : 008 5mm RAF PİMİ(BEYAZ)</p> <p>2 ADET</p>	<p>ACCESSORIE NO : 131 4mm ALYAN ANAHTAR</p> <p>1 ADET</p>	<p>ACCESSORIE NO : 144 M6 SOMUN</p> <p>5 ADET</p>	<p>ACCESSORIE NO : 109 M6*45 VİDA</p> <p>3 ADET</p>
<p>ACCESSORIE NO : 356 5x16 PUL</p> <p>2 ADET</p>	<p>ACCESSORIE NO : 406 PLS. RAF PİMİ EURO VİDALI SİYAH</p> <p>16 ADET</p>	<p>ACCESSORIE NO : 120 6.3*13 MM EURO VİDA</p> <p>16 ADET</p>	<p>ACCESSORIE NO : 113 3.5*18 MM S. VİDASI</p> <p>2 ADET</p>	<p>ACCESSORIE NO : 521 BAMBU AYAK ANTRASİT</p> <p>2 ADET</p>

YEDEK AKSESUAR SİPARİŞLERİNİ RESME BAKARAK VERİNİZ. (Örn:ACCESSORIE.NO:008 - RAFIX MİL - 1 Ad.)  
PLEASE ORDER THE ACCESSORIES ACCORDING TO THE REFERENCE NUMBER ON THE DRAWING(EXAMPLE ACCESSORIE NO-008 RAFIX MIL 1.PCS.)

## PARTS LIST

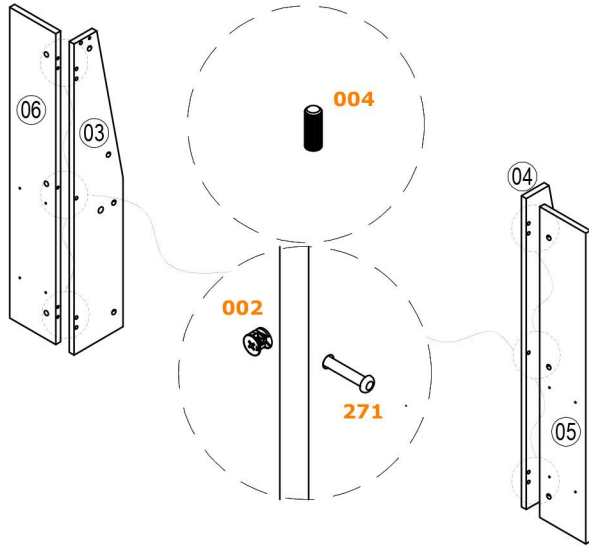


FR-002

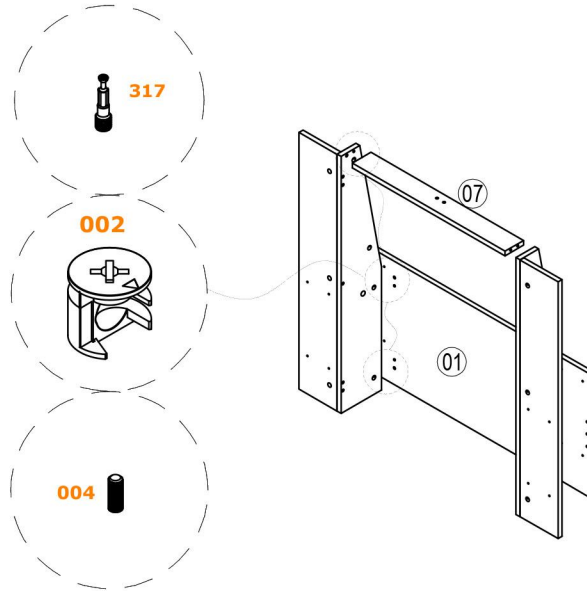
NO	ADET/PCS	NO	ADET/PCS	NO	ADET/PCS
02	1	12	1		
03	1	13	1		
04	1	14	2		
05	1	15	1		
06	1	16	1		
07	1	17	2		
08	1				
09	1				
10	1				
11	2				

YEDEK PARÇA SİPARİŞLERİNİ RESME BAKARAK PARÇA NUMARASINA GÖRE VERİNİZ  
PLEASE ORDER THE SPARE PARTS ACCORDING TO THE REFERENCE NUMBER ON THE DRAWING

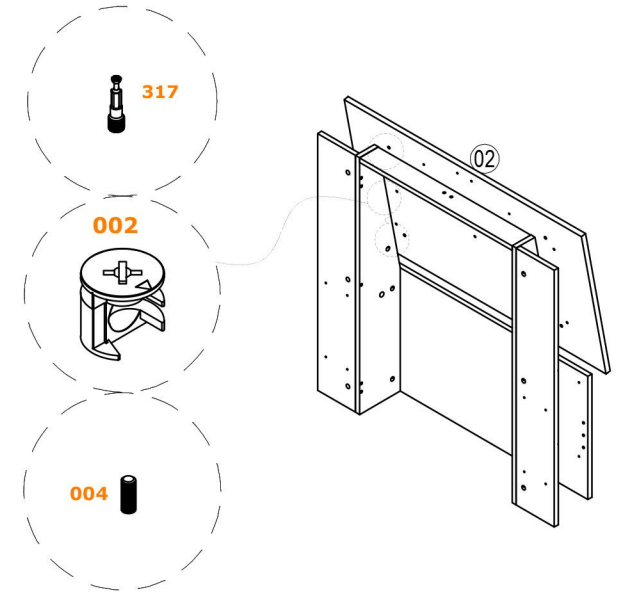
# INSTALLATION STEPS



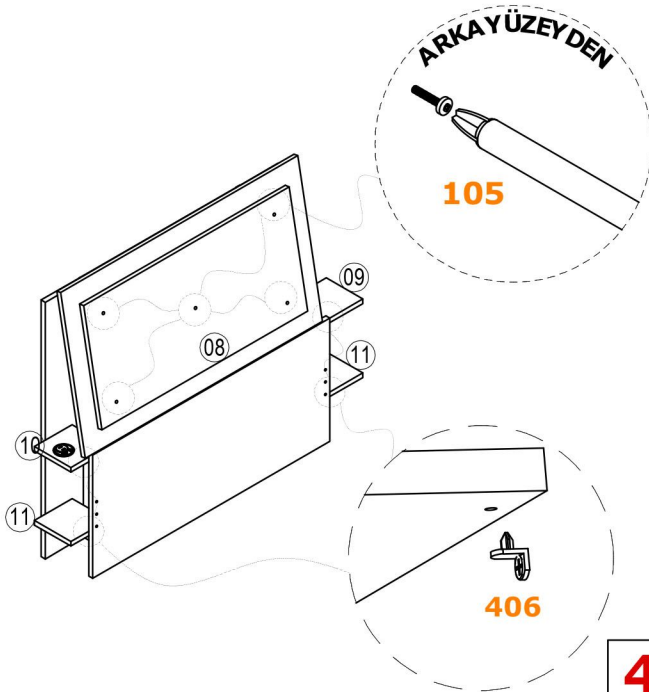
1



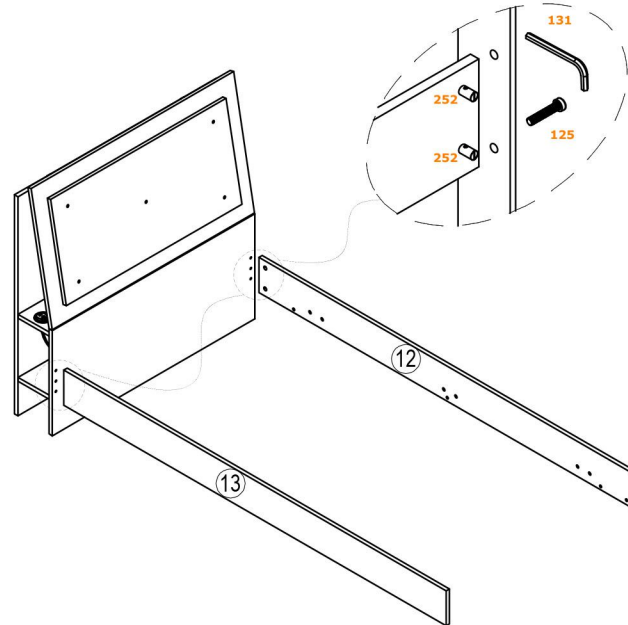
2



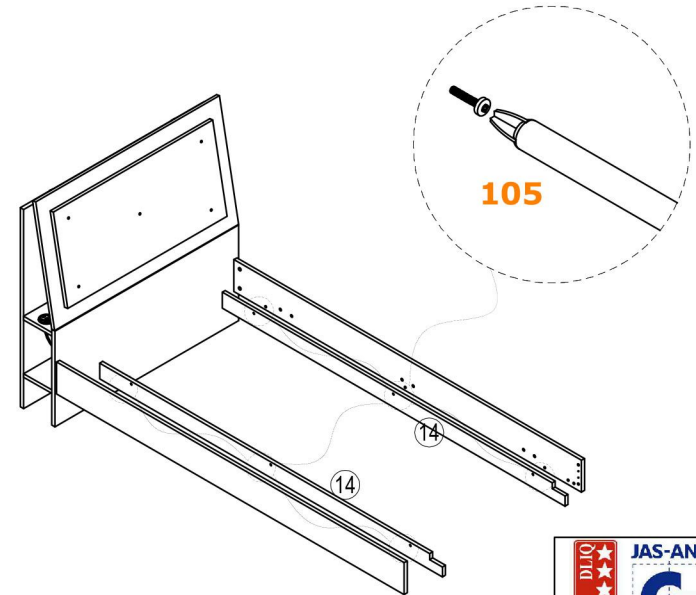
3



4

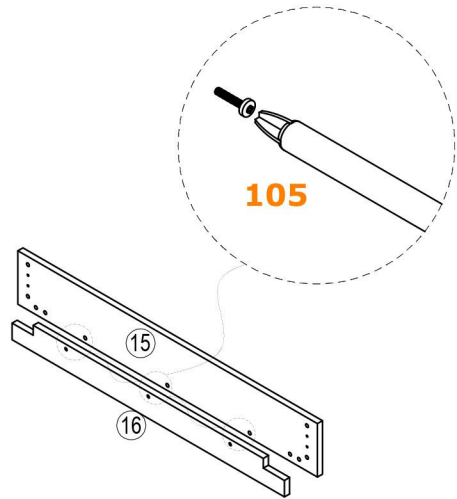


5

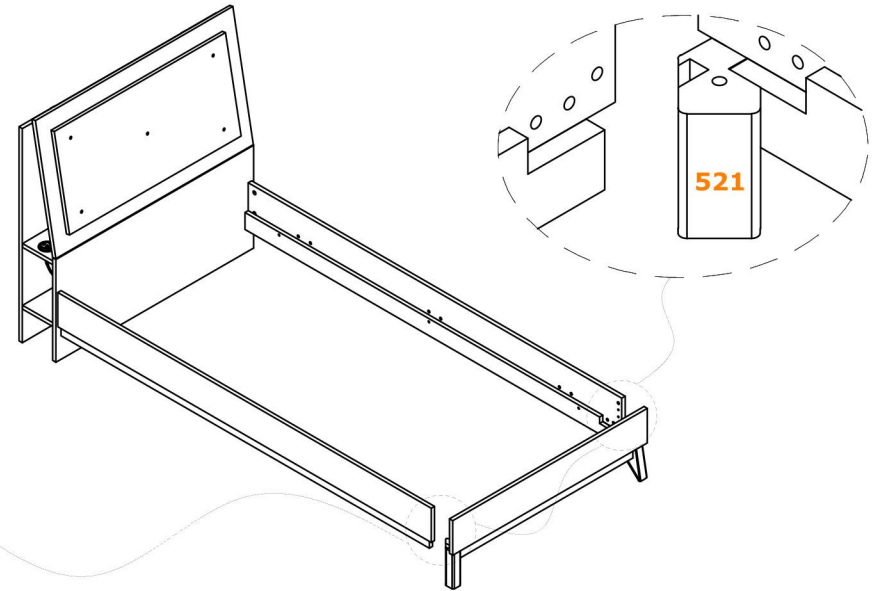
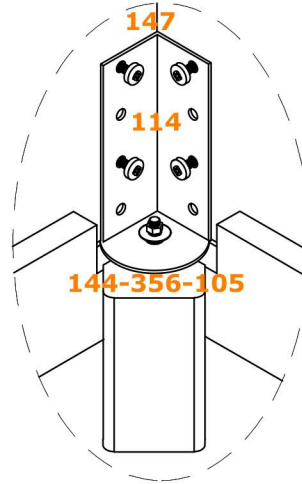


6

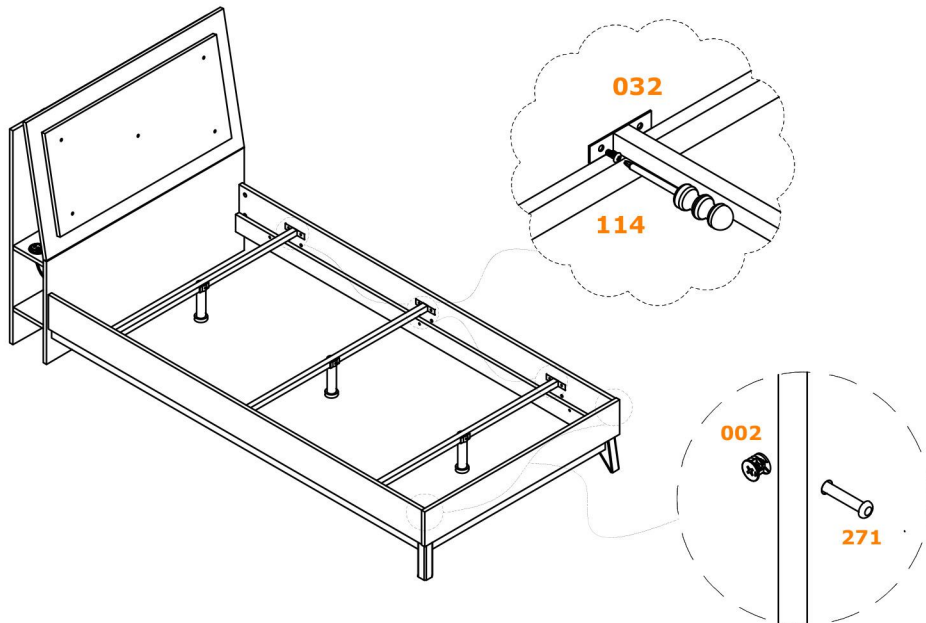
# INSTALLATION STEPS



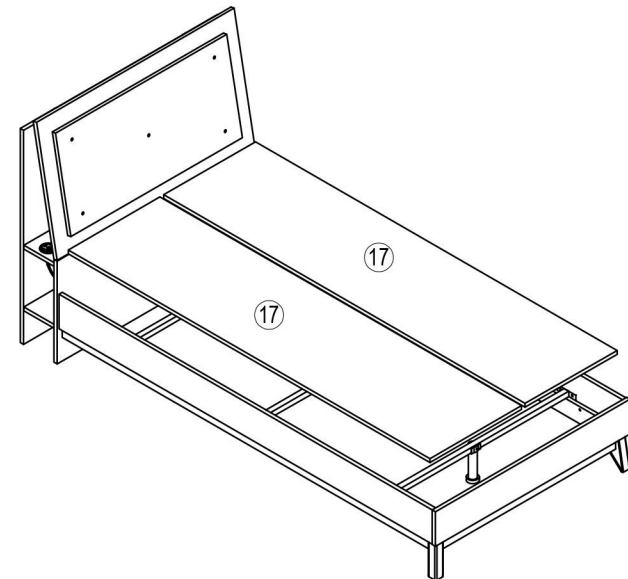
7



8



9



10

# INSTALLATION STEPS

