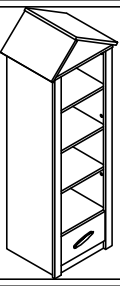















orpak®

GRUP : MY HOUSE
GROUP : MY HOUSE
ÜRÜN : KİTAPLIK
PRODUCT : BOOKCASE
RENK : COLORADO&DAFNE
COLOUR : COLORADO&DAFNE

KOD :1867
CODE :1867



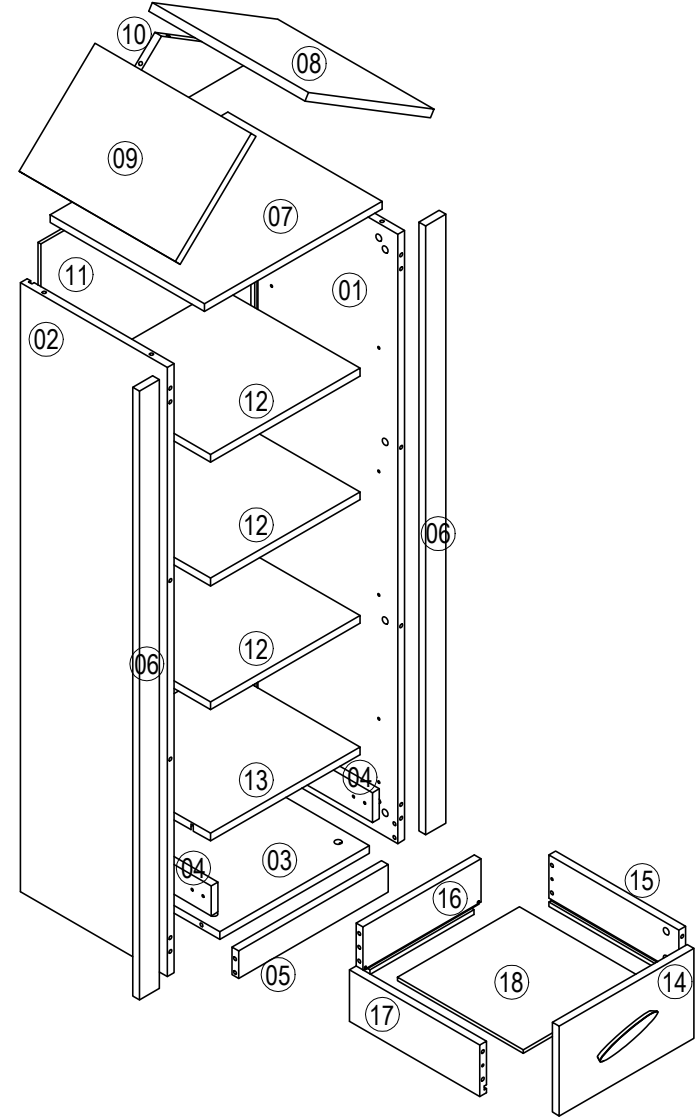
AKSESUAR LİSTESİ / ACCESSORIES LIST

ACCESSORIE NO : 002 TİTUS MİNİFİKS GÖVDE	ACCESSORIE NO : 317 10'LUK MİNİFİKS MİL	ACCESSORIE NO : 004 Ø8x30 KAVELA	ACCESSORIE NO : 020 MİNİFİKS TAPA KAHVERENGİ	ACCESSORIE NO : 011 ARKALIK SABİTLEME 3.5x25 S.VİDASI
 28 ADET	 28 ADET	 17 ADET	 10 ADET	 10 ADET
ACCESSORIE NO : 410 TANDEM RAY 350 (SAMET)	ACCESSORIE NO : 005 RAFİKS MİL (7.5)	ACCESSORIE NO : 095 4*30 MM S. VİDASI	ACCESSORIE NO : 120 6.3*13 MM EURO VİDA	ACCESSORIE NO : 406 PLS. RAF PİMİ EURO VİDALI
 1 TAKIM	 4 ADET	 4 ADET	 17 ADET	 13 ADET
ACCESSORIE NO : 418 ATLAS KULP	ACCESSORIE NO : 104 M4*25 MM VİDA	ACCESSORIE NO : 020 MİNİFİKS TAPA KAYIN		
 1 ADET	 2 ADET	 4 ADET		

YEDEK AKSESUAR SİPARİŞLERİNİ RESME BAKARAK VERİNİZ. (Örn:ACCESSORIE.NO:008 - RAFİKS MİL - 1 Ad.)
PLEASE ORDER THE ACCESSORIES ACCORDING TO THE REFERENCE NUMBER ON THE DRAWING(EXAMPLE ACCESSORIE NO-008 RAFİKS MİL 1.PCS.)

orpak®

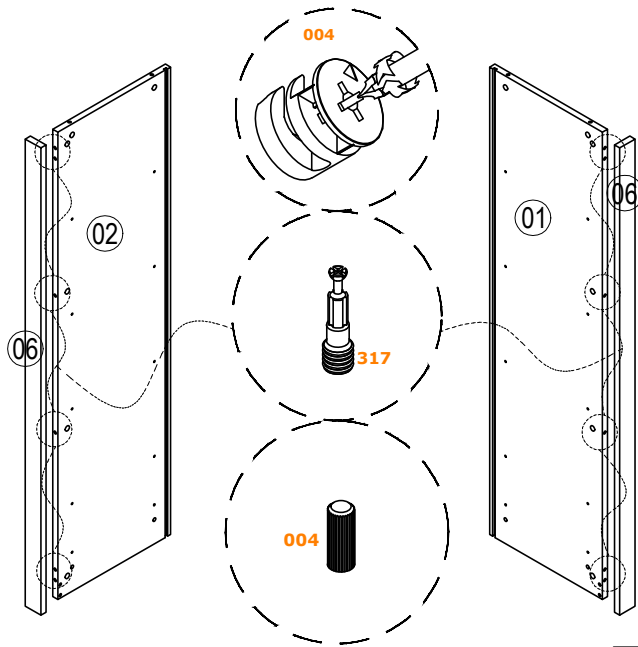
PARÇA LİSTESİ PARTS LIST



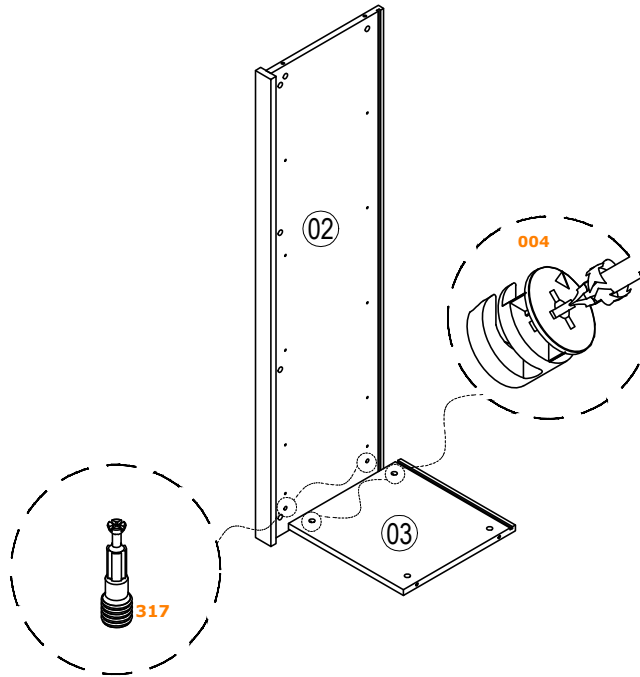
FR-002

NO	ADET/PCS	NO	ADET/PCS	NO	ADET/PCS
01	1	11	1		
02	1	12	3		
03	1	13	1		
04	2	14	1		
05	1	15	1		
06	2	16	1		
07	1	17	1		
08	1	18	1		
09	1				
10	1				

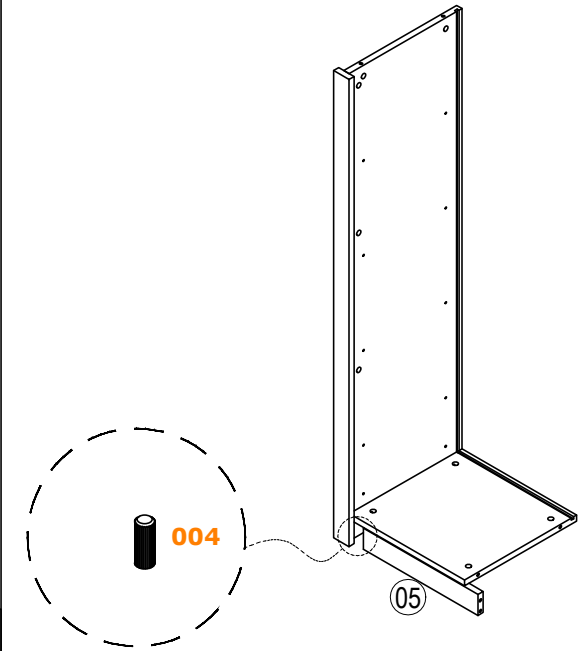
YEDEK PARÇA SİPARİŞLERİNİ RESME BAKARAK PARÇA NUMARASINA GÖRE VERİNİZ
PLEASE ORDER THE SPARE PARTS ACCORDING TO THE REFERENCE NUMBER ON THE DRAWING



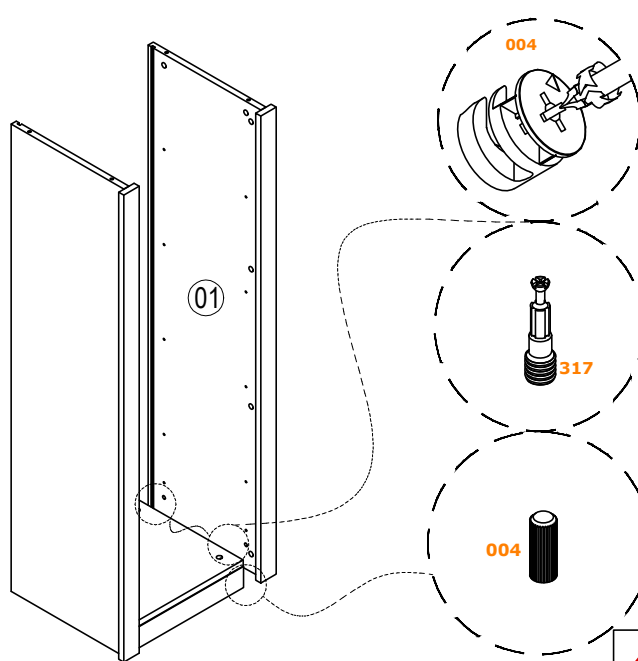
1



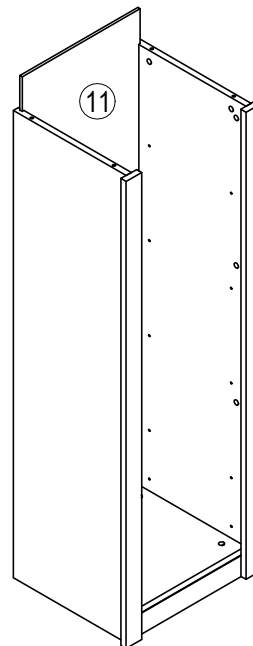
2



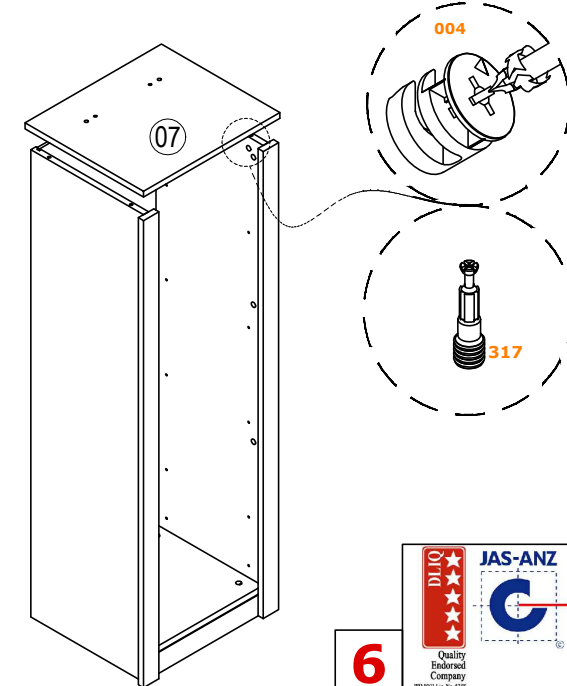
3



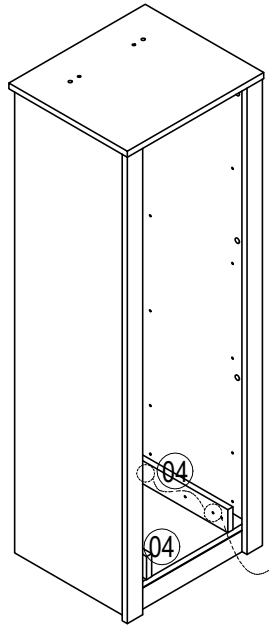
4



5

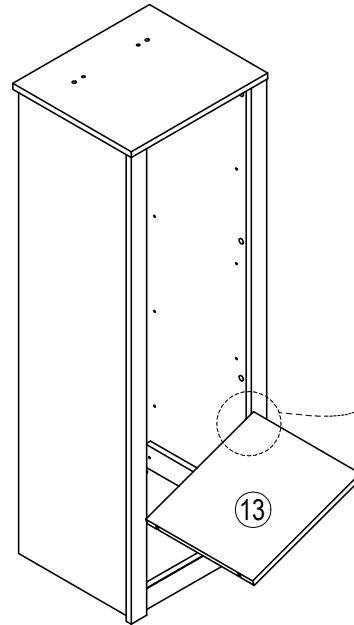


6



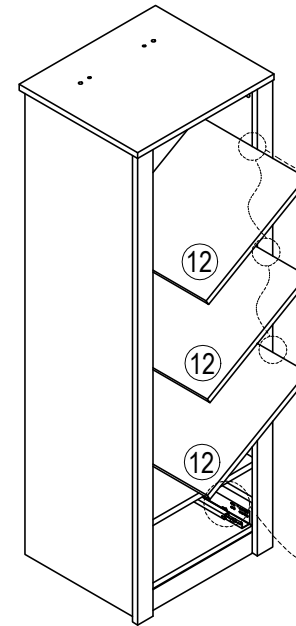
095

7



005

8

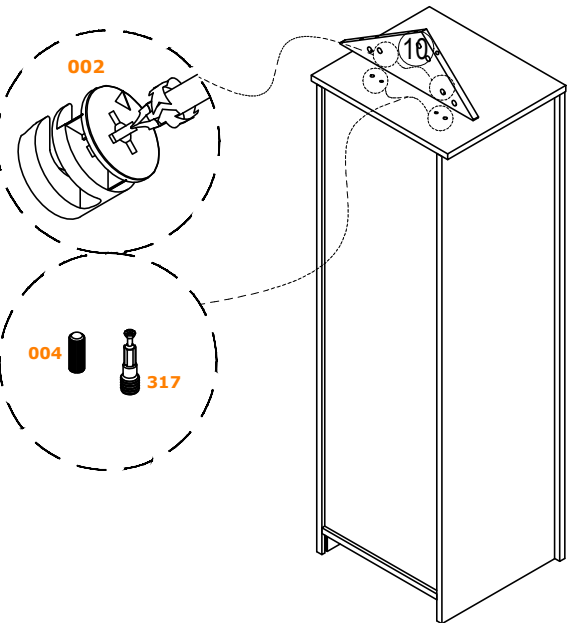


406

120

410

9

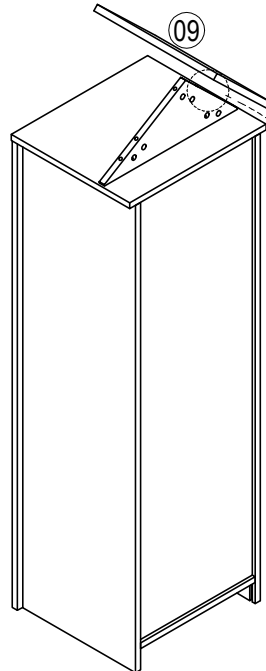


002

004

317

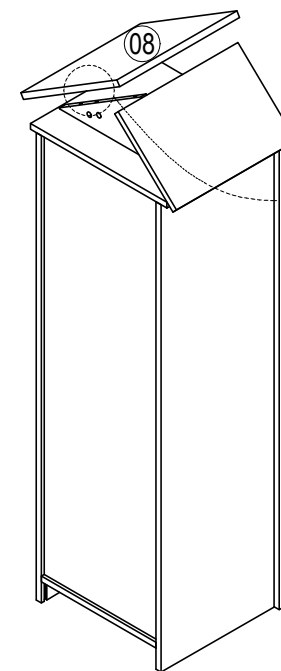
10



002

317

11

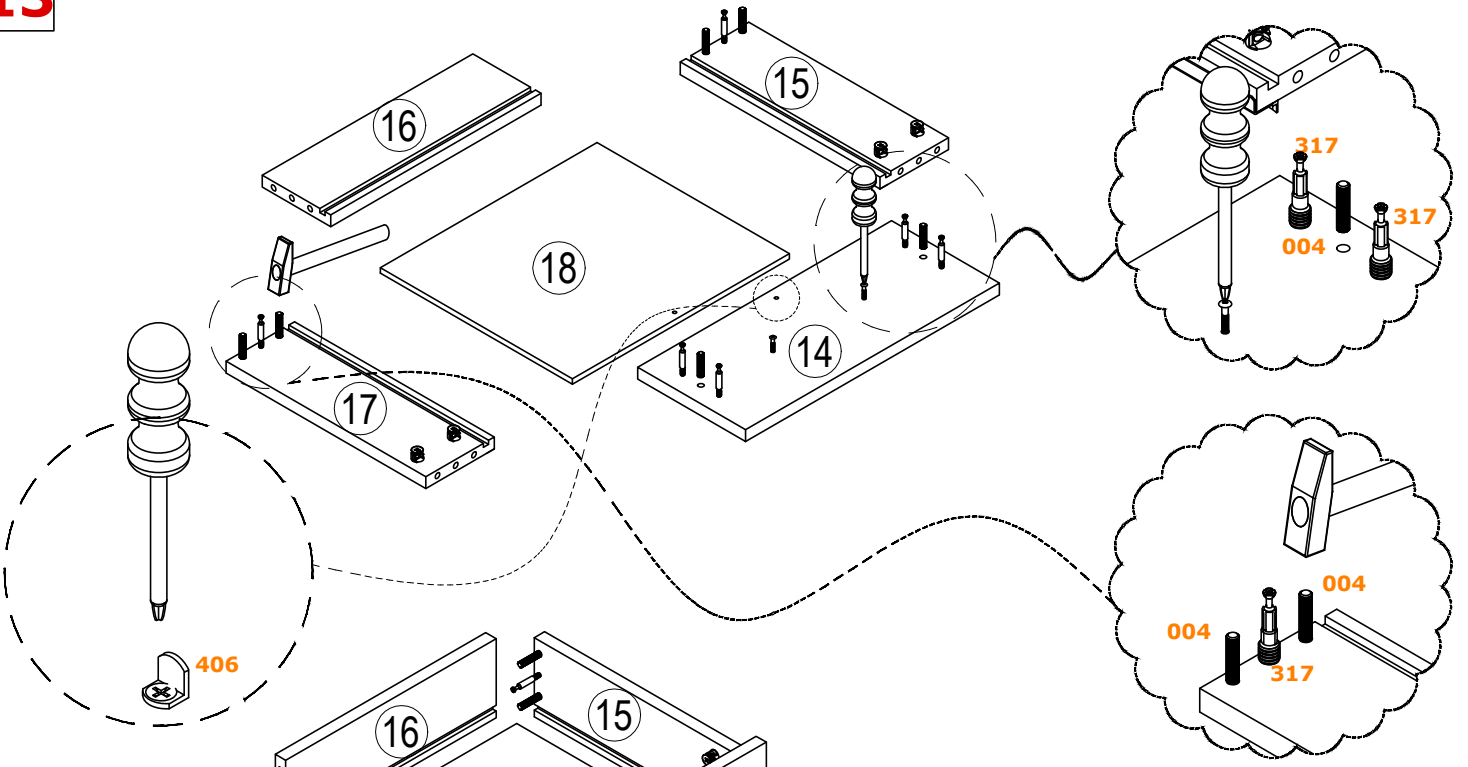


002

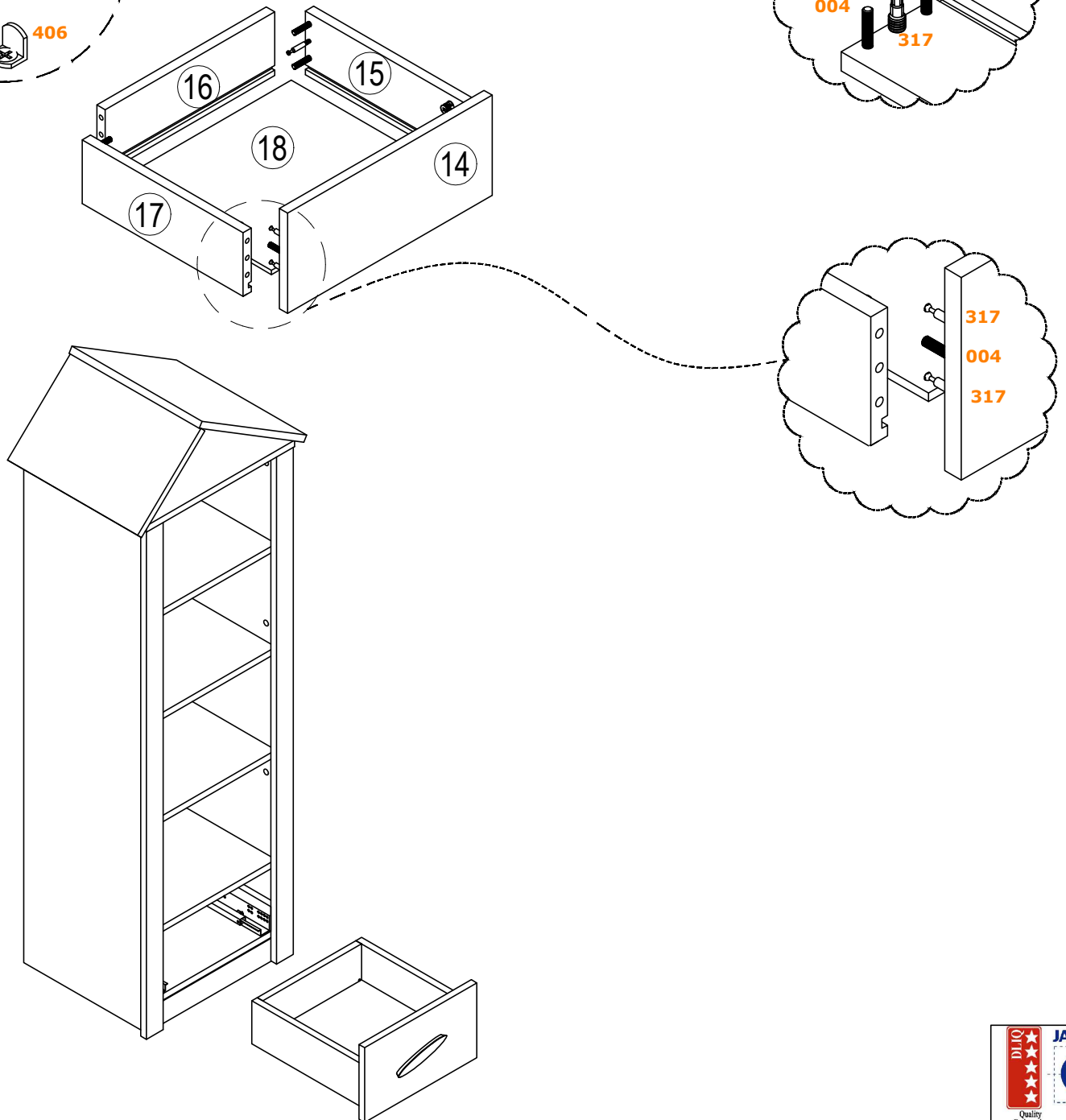
317

12

13



14



15