





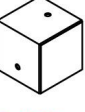



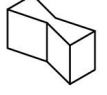
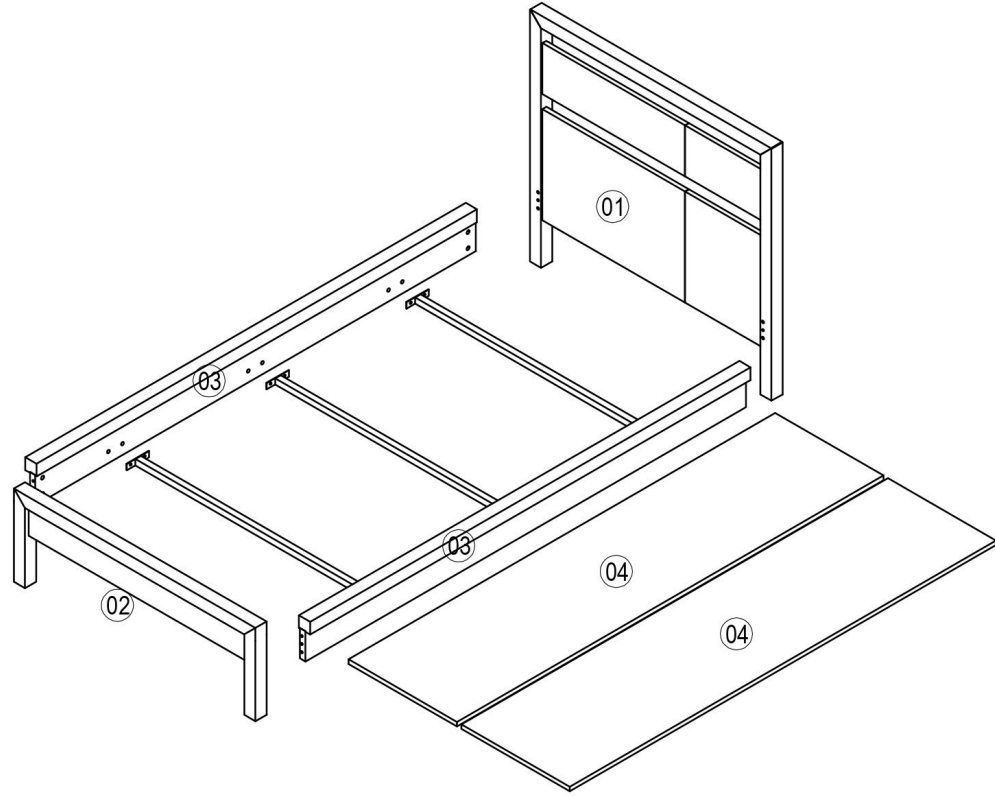


ACCESSORIES LIST

<p>ACCESSORIE NO : 001 MİNİFİX MİL 6 MM</p>  <p>8 ADET</p>	<p>ACCESSORIE NO : 002 TİTUS MİNİFİX GÖVDE</p>  <p>8 ADET</p>	<p>ACCESSORIE NO : 004 Ø8x30 KAVELA</p>  <p>24 ADET</p>	<p>ACCESSORIE NO : 391 ÖZEL MİNİFİX MİL</p>  <p>8 ADET</p>	<p>ACCESSORIE NO : 390 ÖZEL MİNİFİX GÖVDE</p>  <p>8 ADET</p>
<p>ACCESSORIE NO : 540 M4*15 MM YHB VİDA</p>  <p>4 ADET</p>	<p>ACCESSORIE NO : 541 BAŞUCU BAĞLANTI DEMİRİ</p>  <p>2 ADET</p>	<p>ACCESSORIE NO : 114 M6*15 YSB VİDA</p>  <p>12 ADET</p>	<p>ACCESSORIE NO : 463 1010'LUK MANNESMAN</p>  <p>3 ADET</p>	<p>ACCESSORIE NO : 107 M6*35 VİDA</p>  <p>8 ADET</p>
				<p>ACCESSORIE NO : 545 KIRLANGIÇ BEYAZ</p>  <p>4 ADET</p>

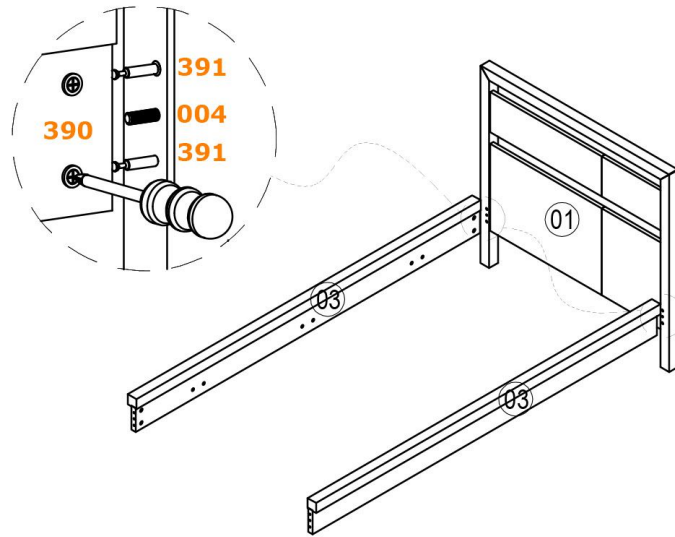
PARTS LIST



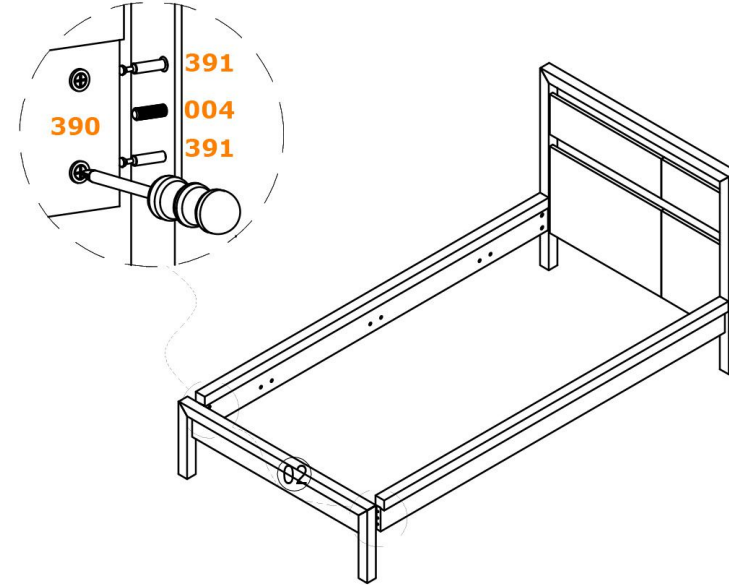
FR-002

NO	ADET/PCS	NO	ADET/PCS	NO	ADET/PCS
1	1				
2	1				
3	2				
4	2				

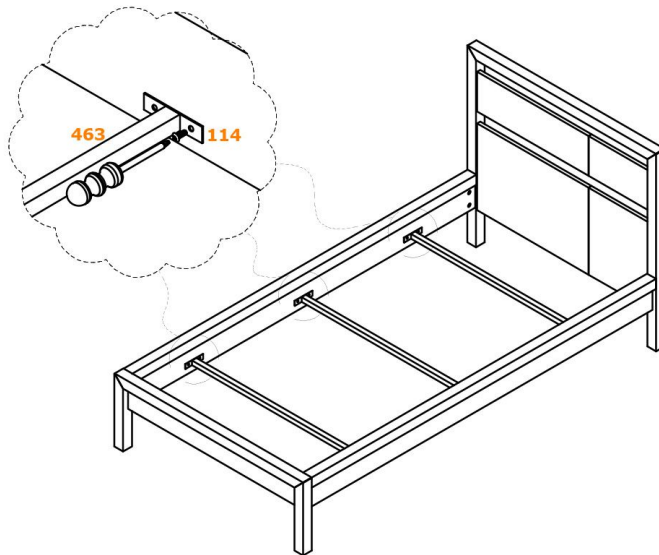
INSTALLATION STEPS



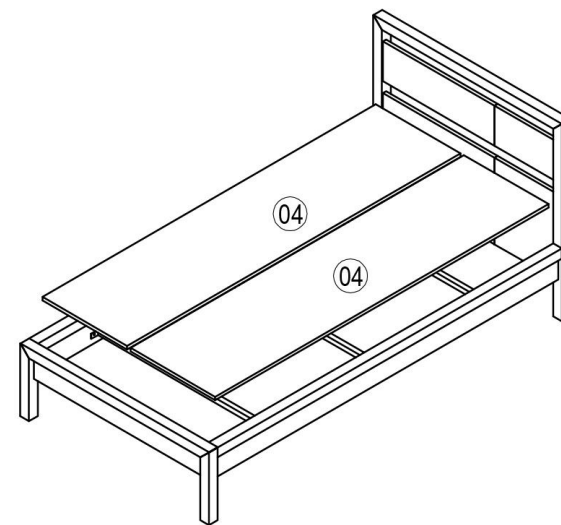
1



2



3



4