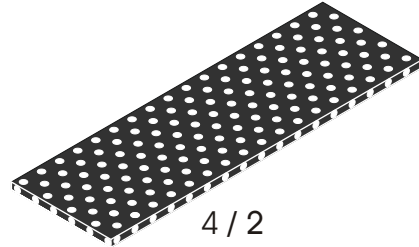
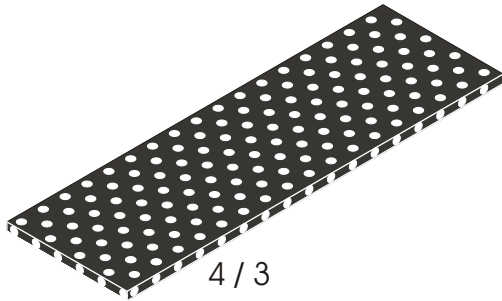


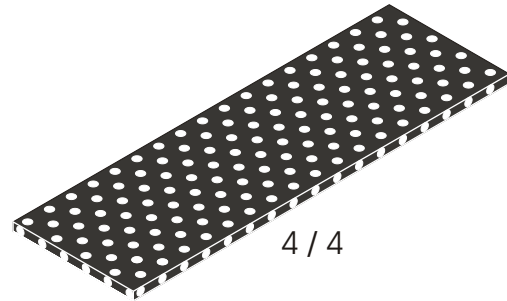
4 / 1



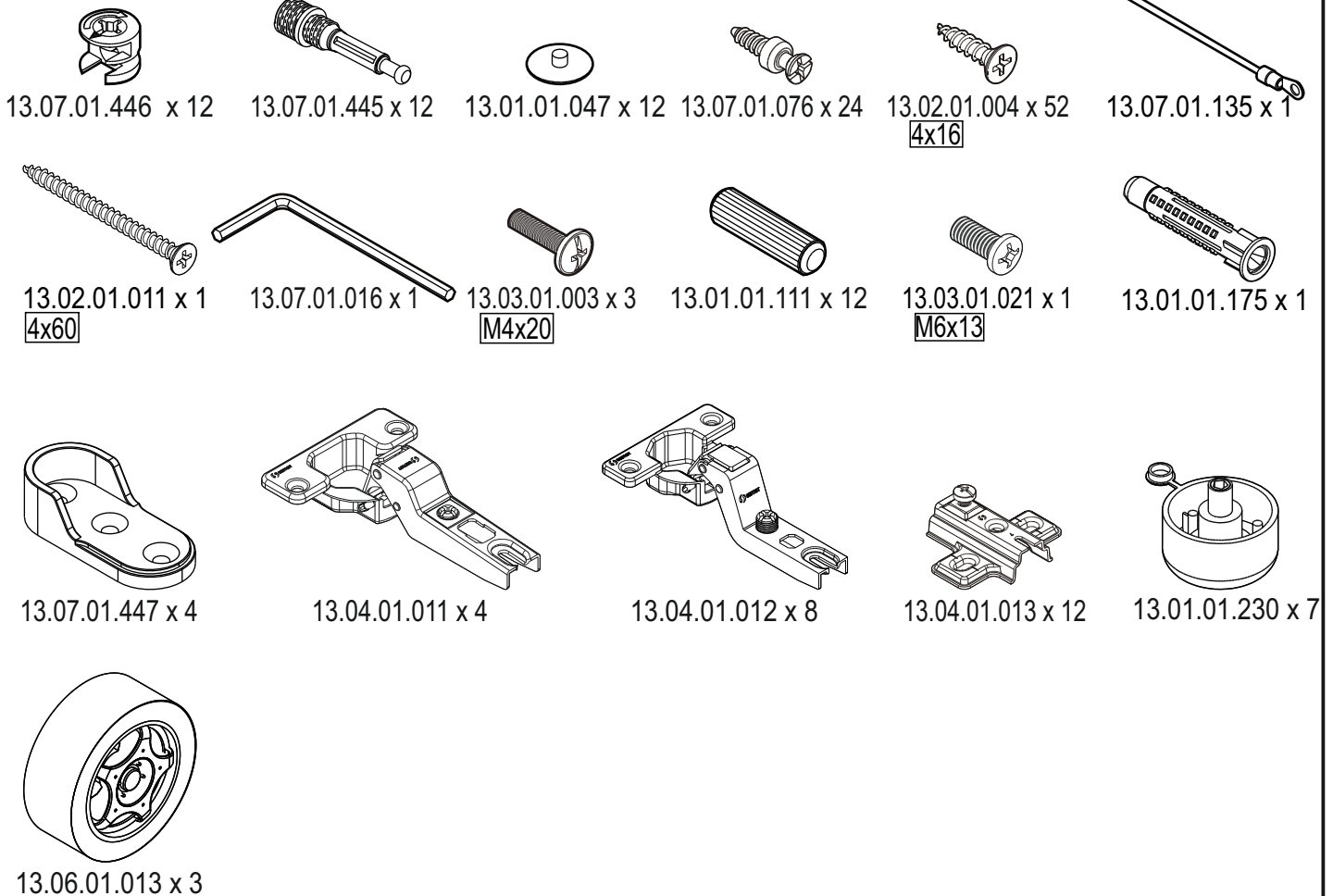
4 / 2



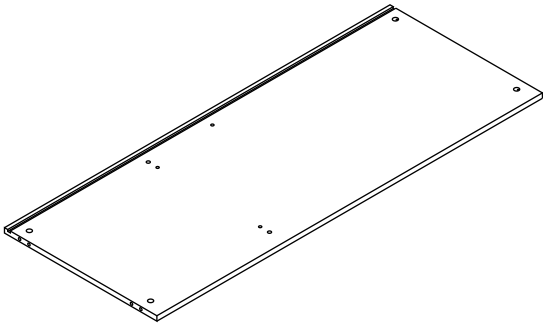
4 / 3



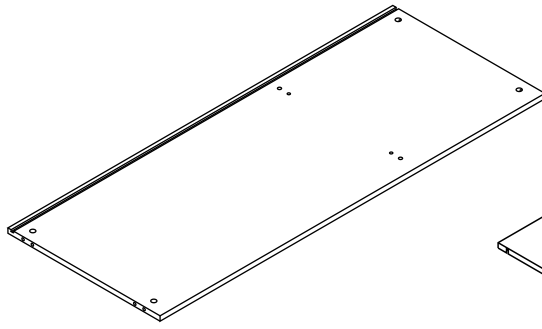
4 / 4



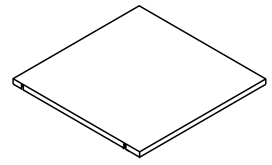
4 / 1



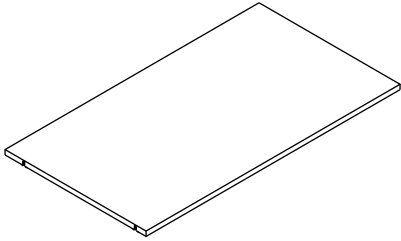
18.56.1002.003 x 1



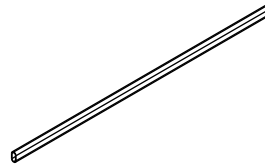
18.56.1002.004 x 1



18.56.1002.007 x 5



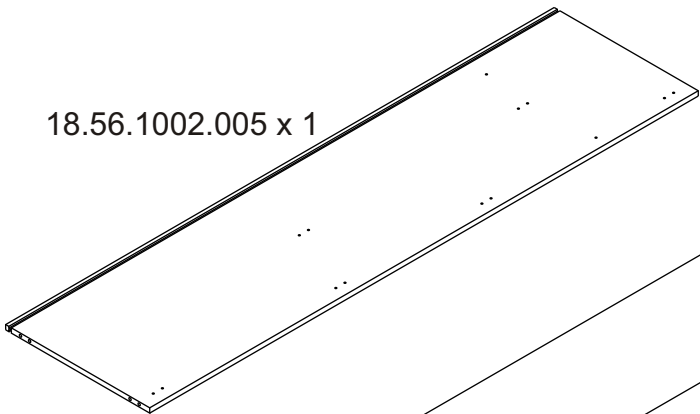
18.56.1002.006 x 1



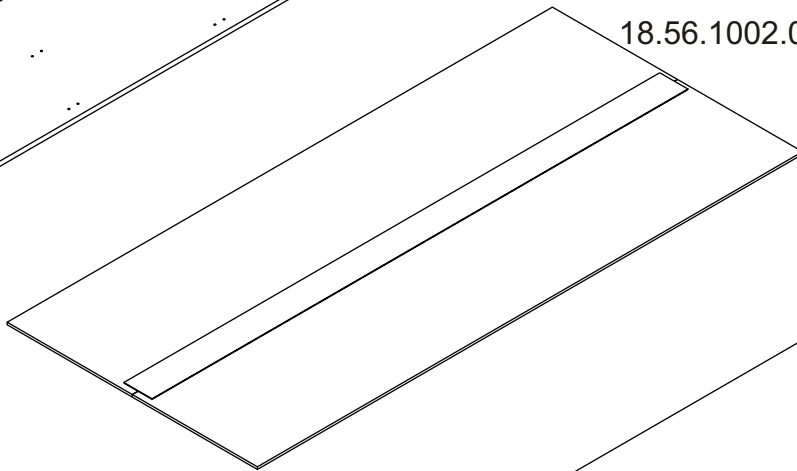
18.56.1002.201 x 2

---

4 / 2



18.56.1002.005 x 1

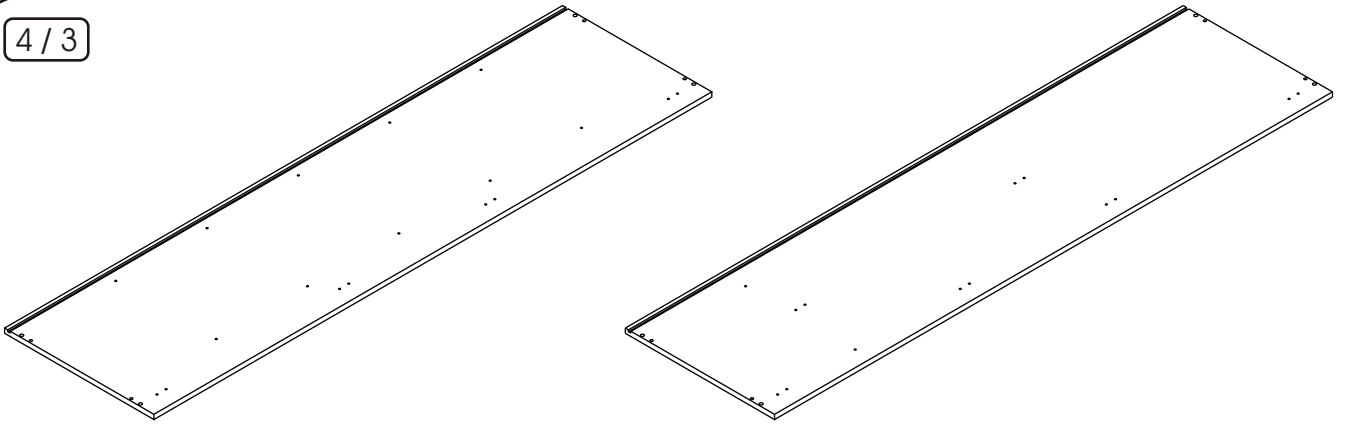


18.56.1002.012 x 1



18.56.1002.011 x 1

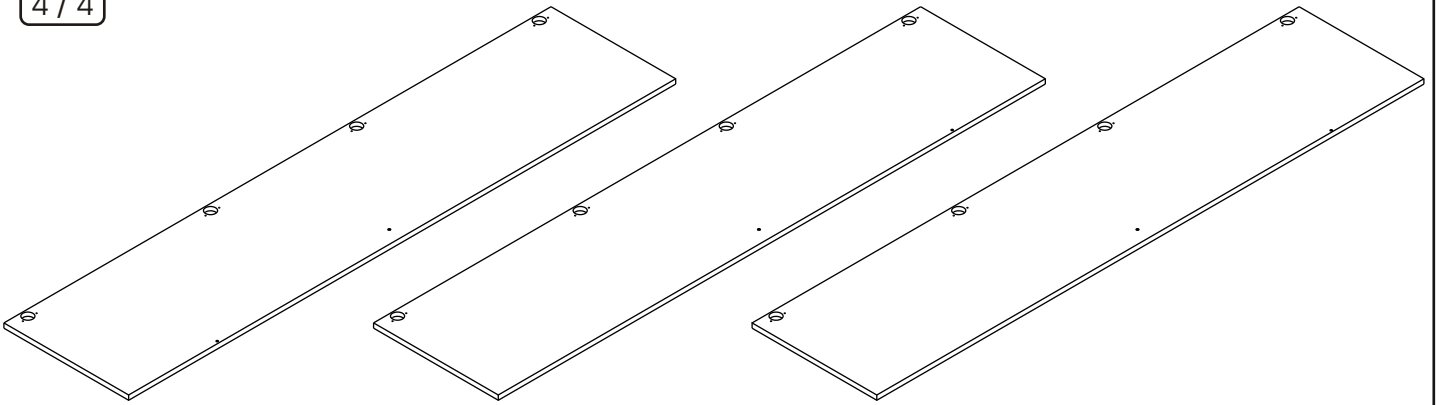
4 / 3



18.56.1002.002 x 1

18.56.1002.001 x 1

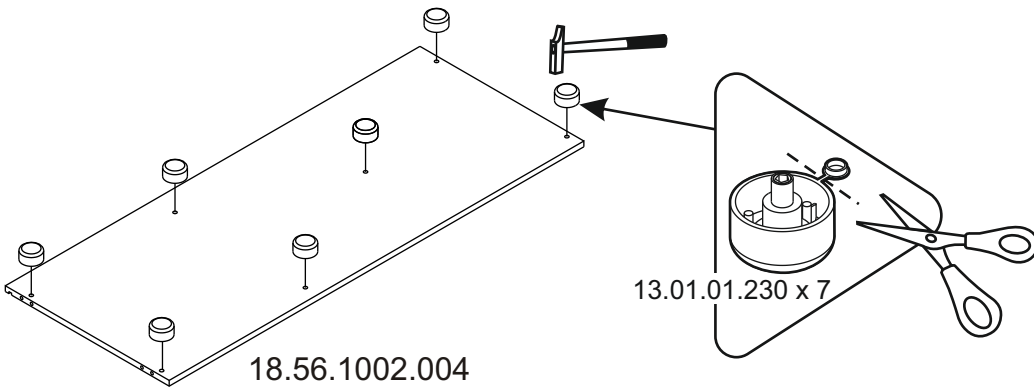
4 / 4



18.56.1002.008 x 1

18.56.1002.009 x 1

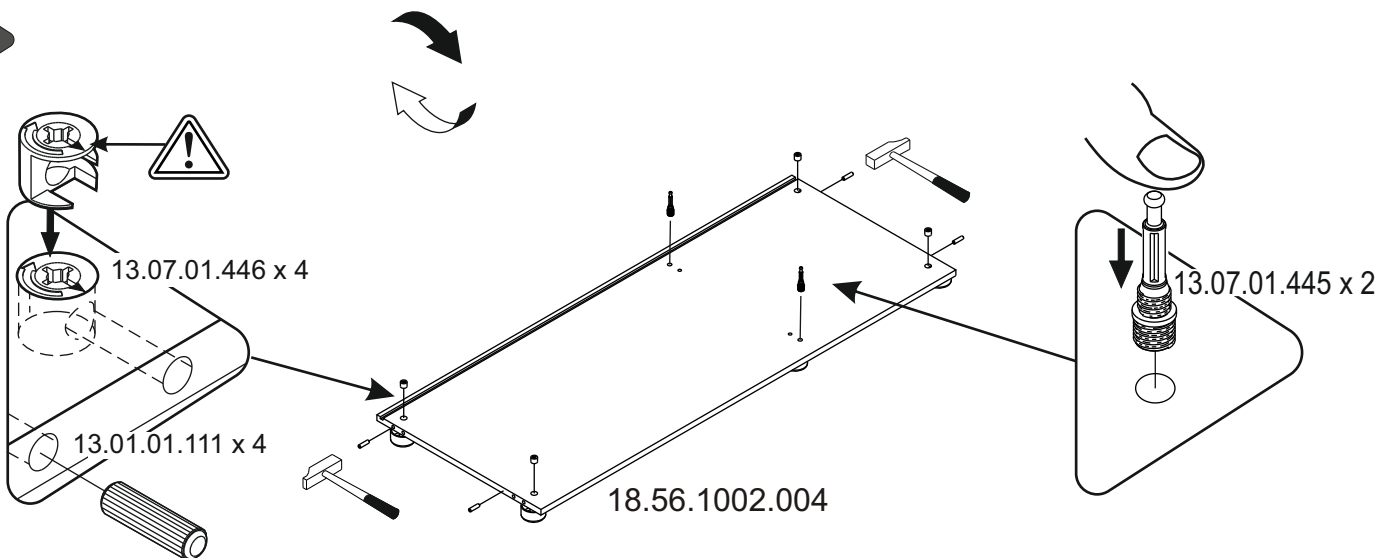
18.56.1002.010 x 1



18.56.1002.004

13.01.01.230 x 7

1

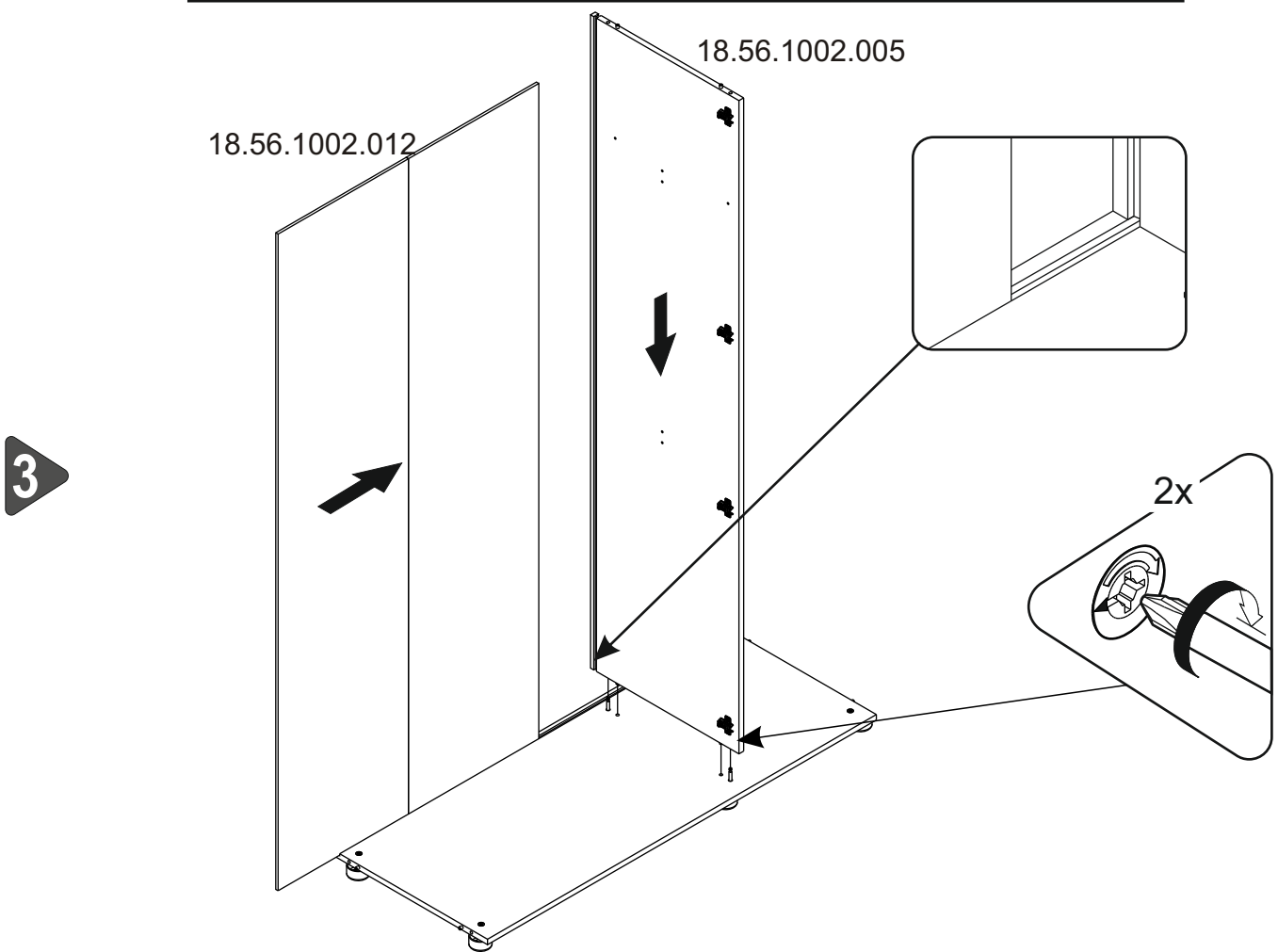
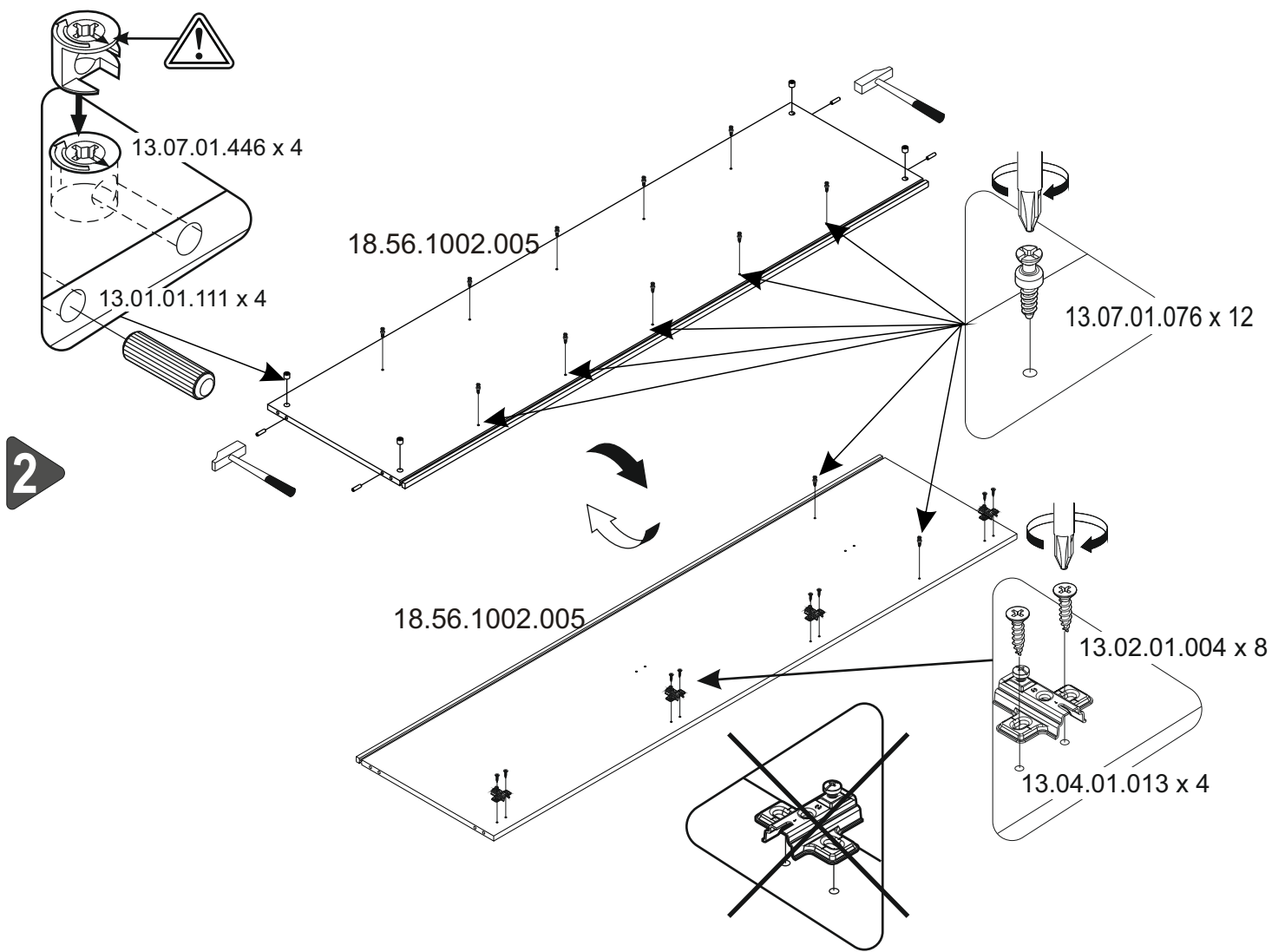


13.07.01.446 x 4

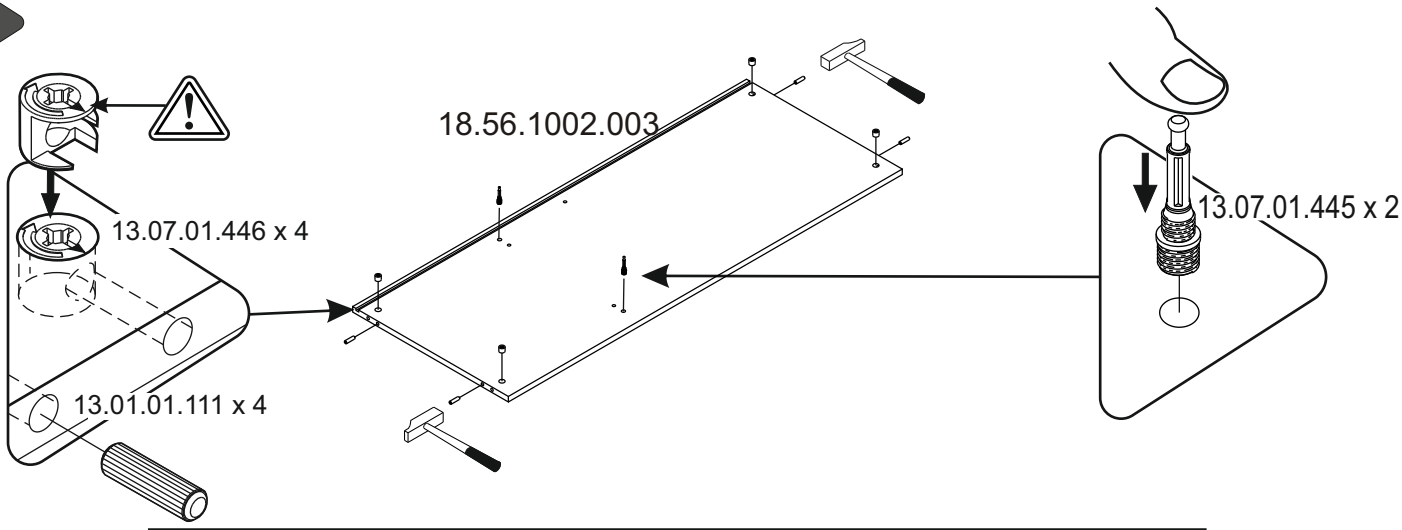
13.01.01.111 x 4

18.56.1002.004

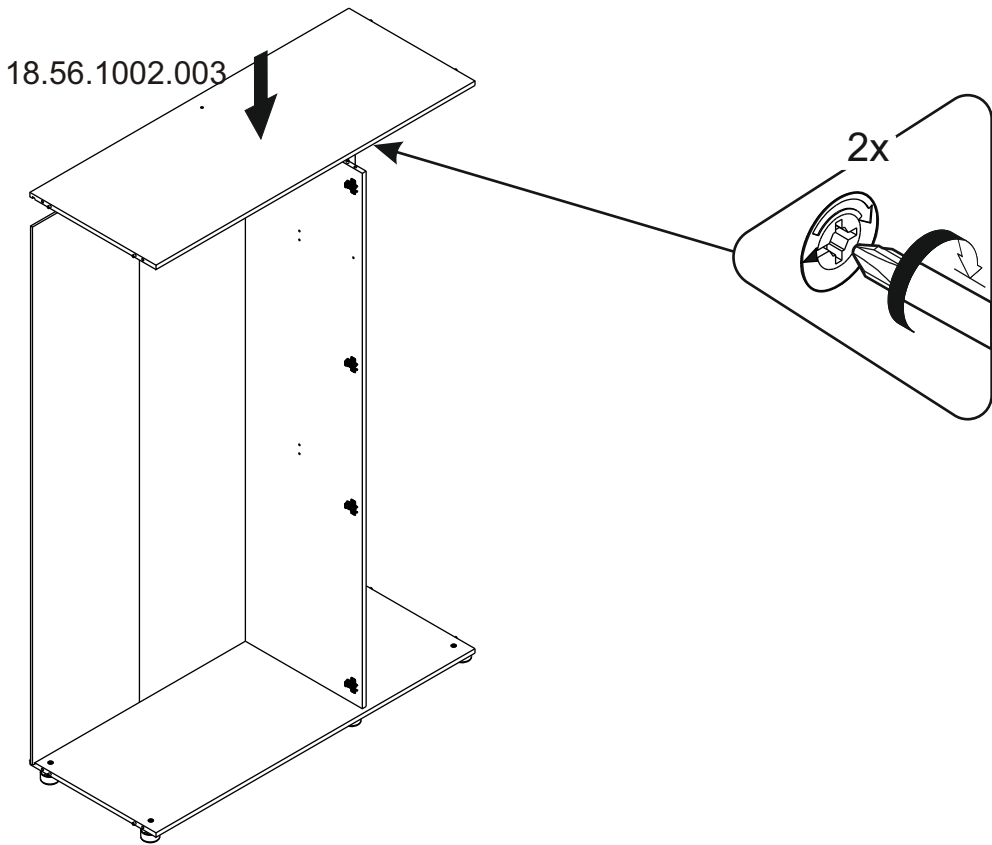
13.07.01.445 x 2



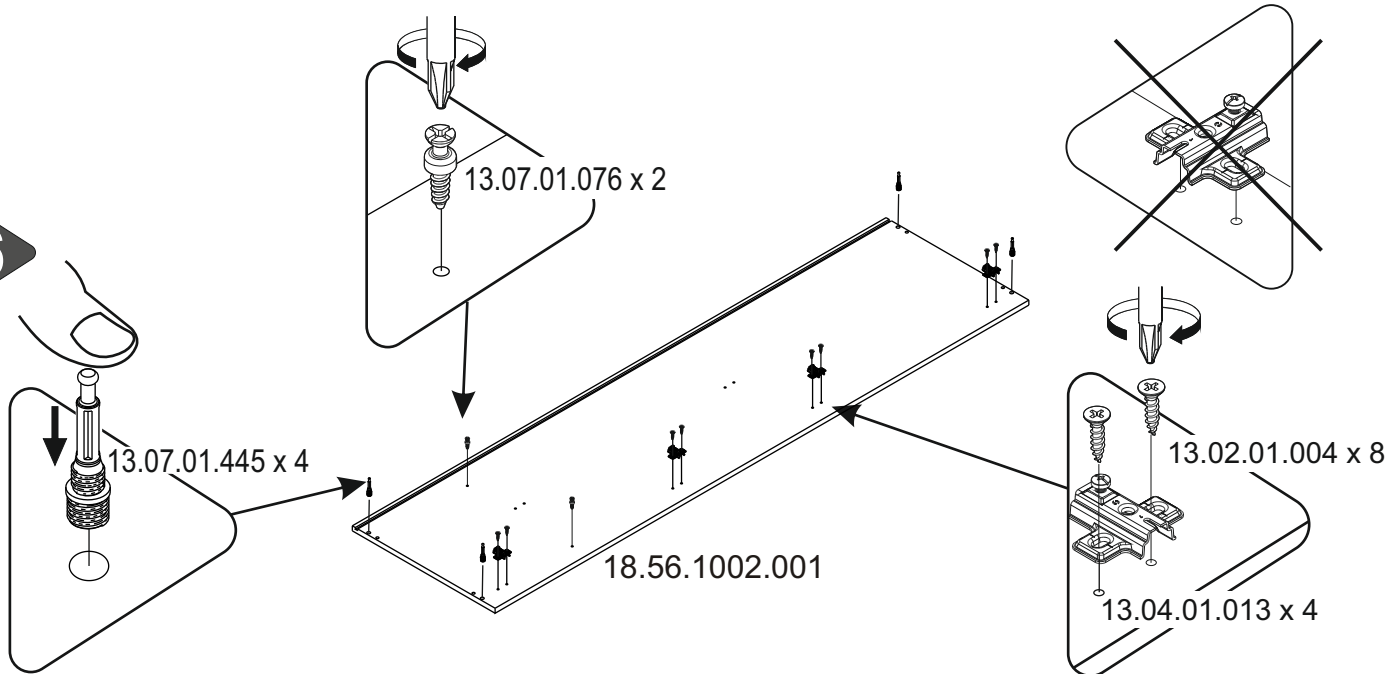
4



5

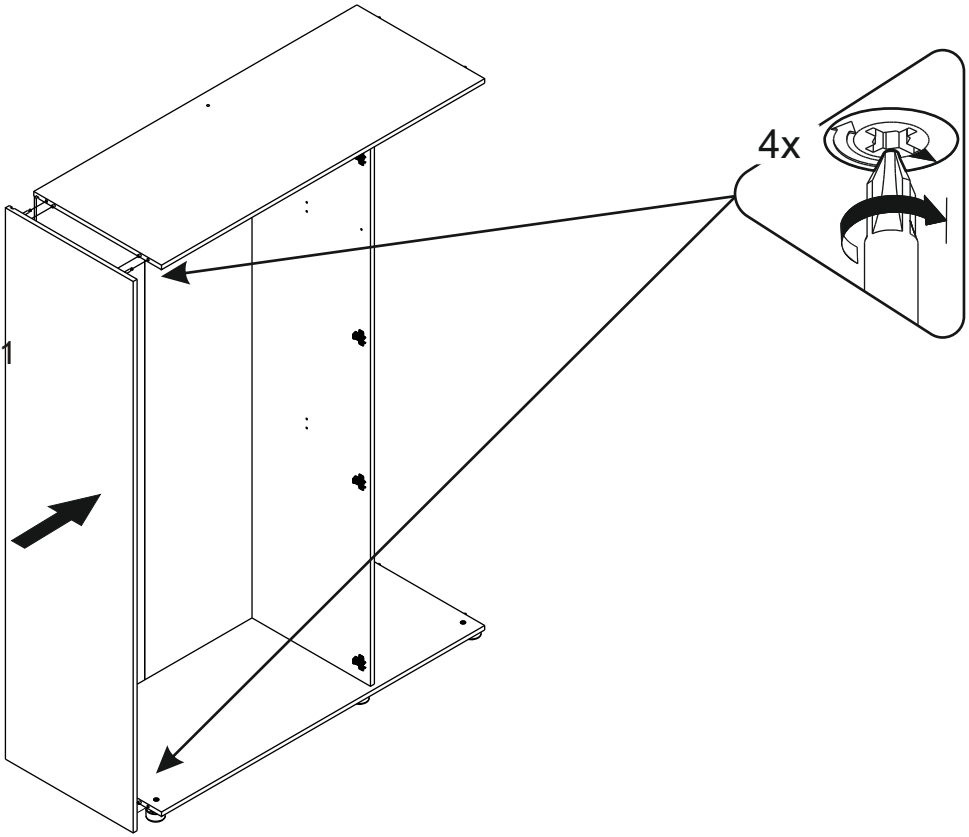


6



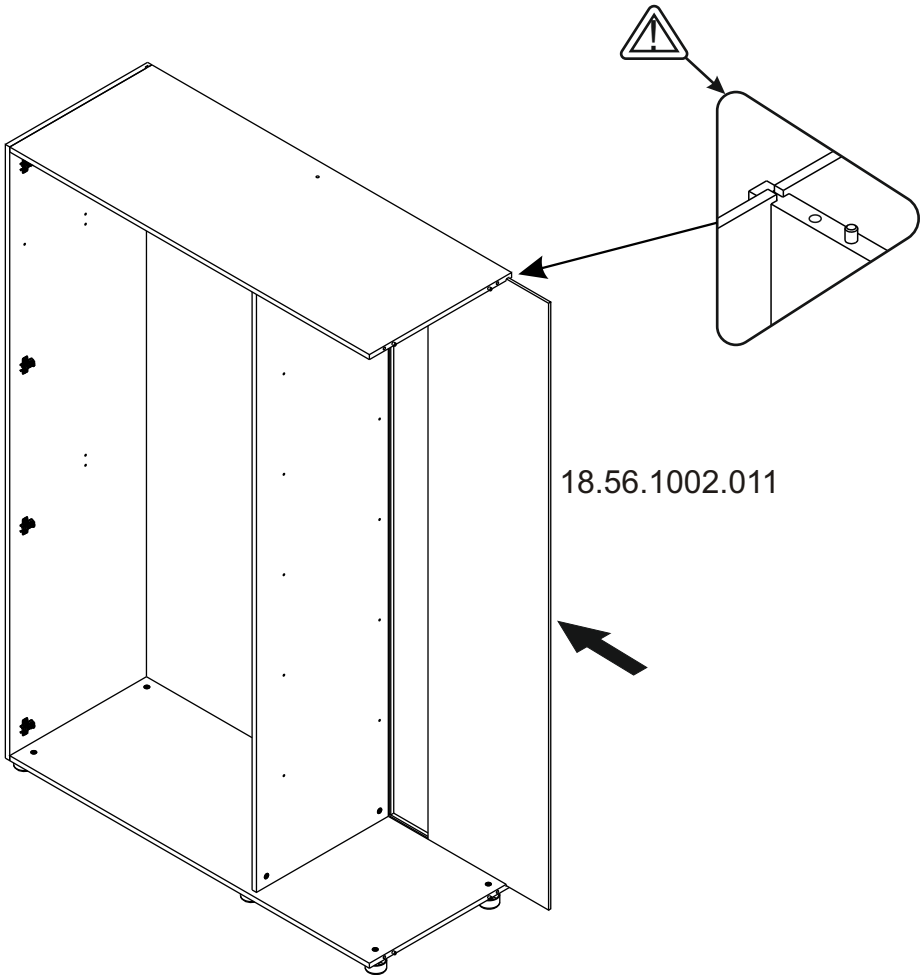
7

18.56.1002.001

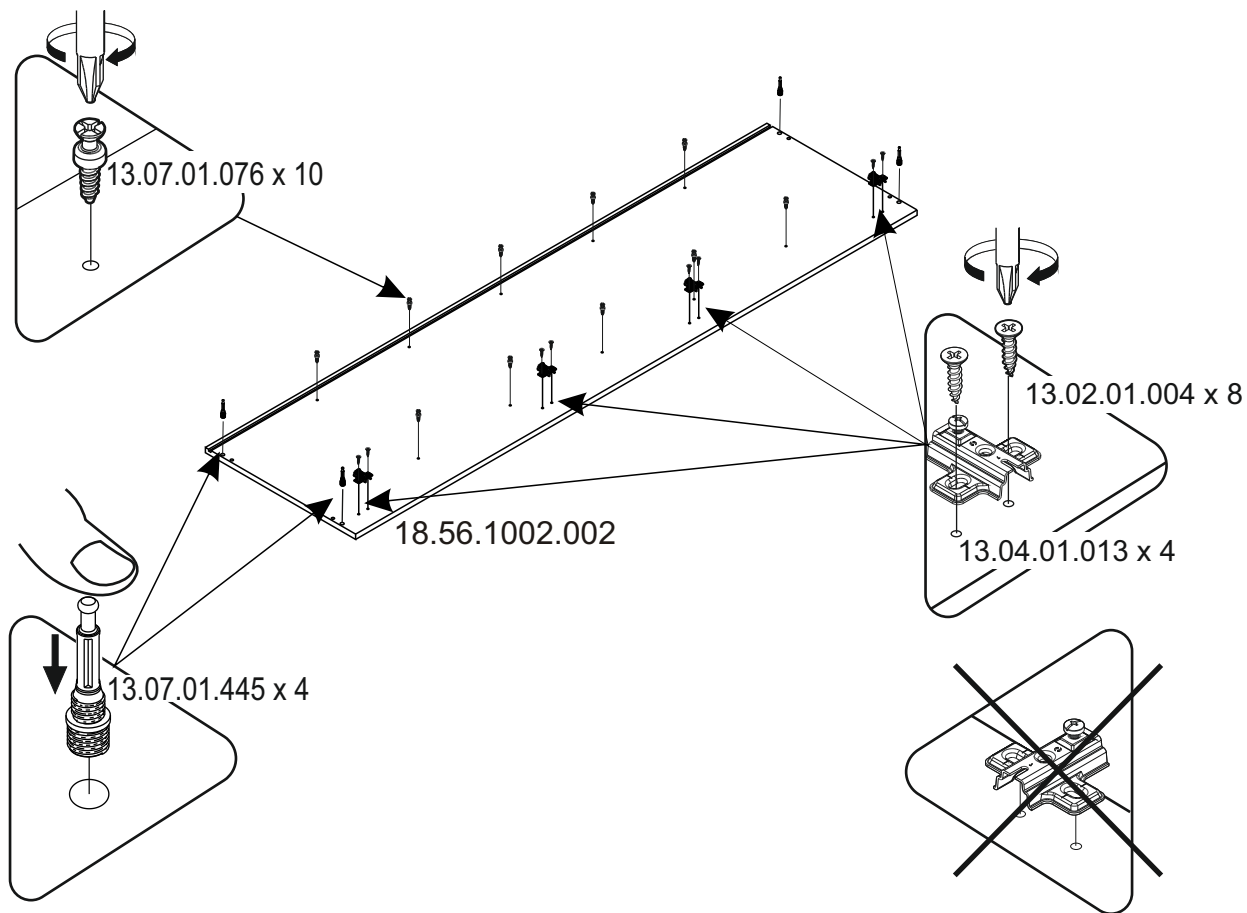


8

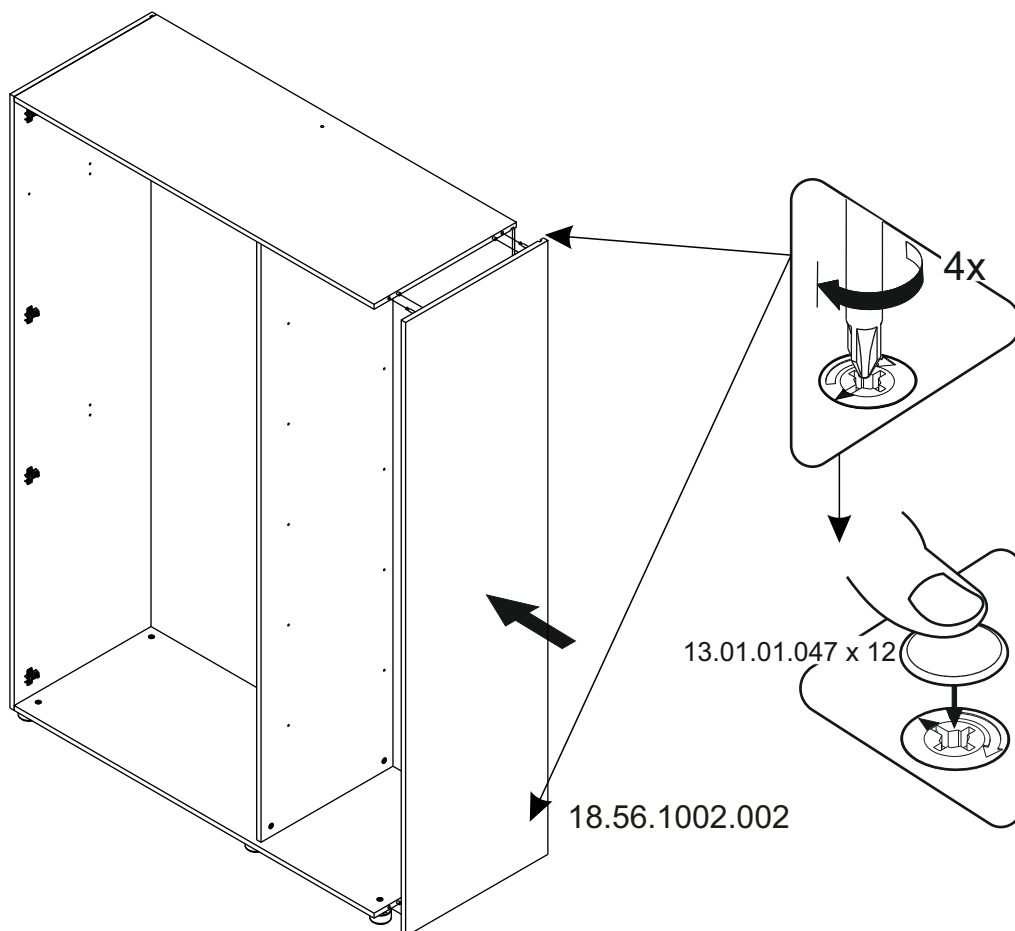
18.56.1002.011



9



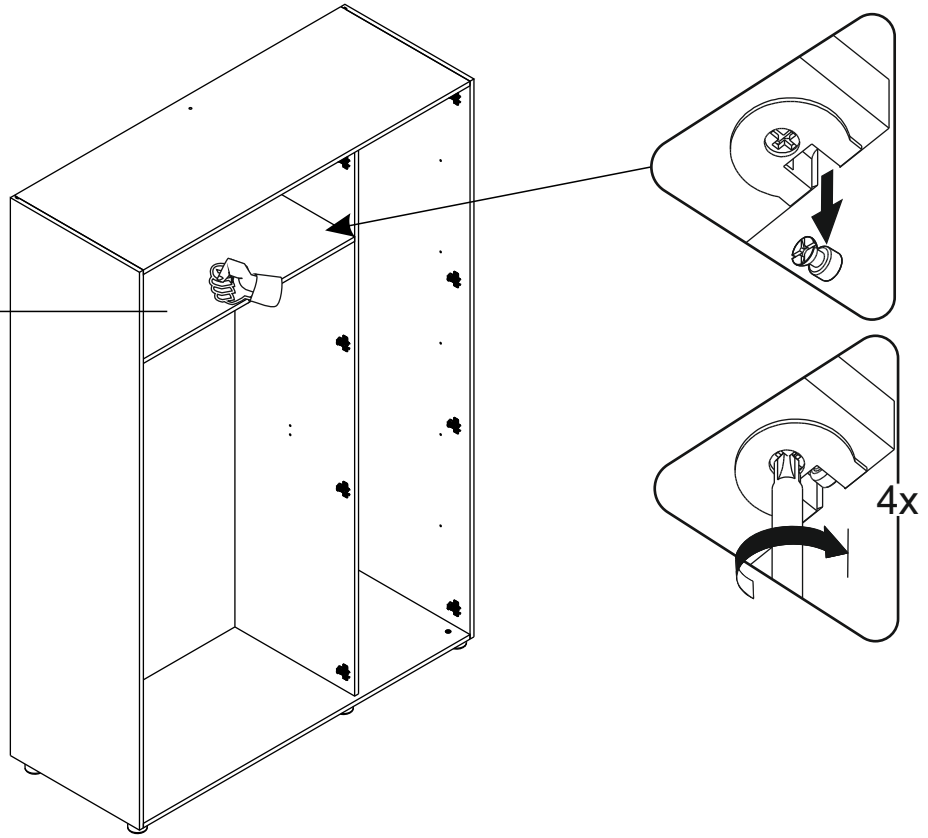
10





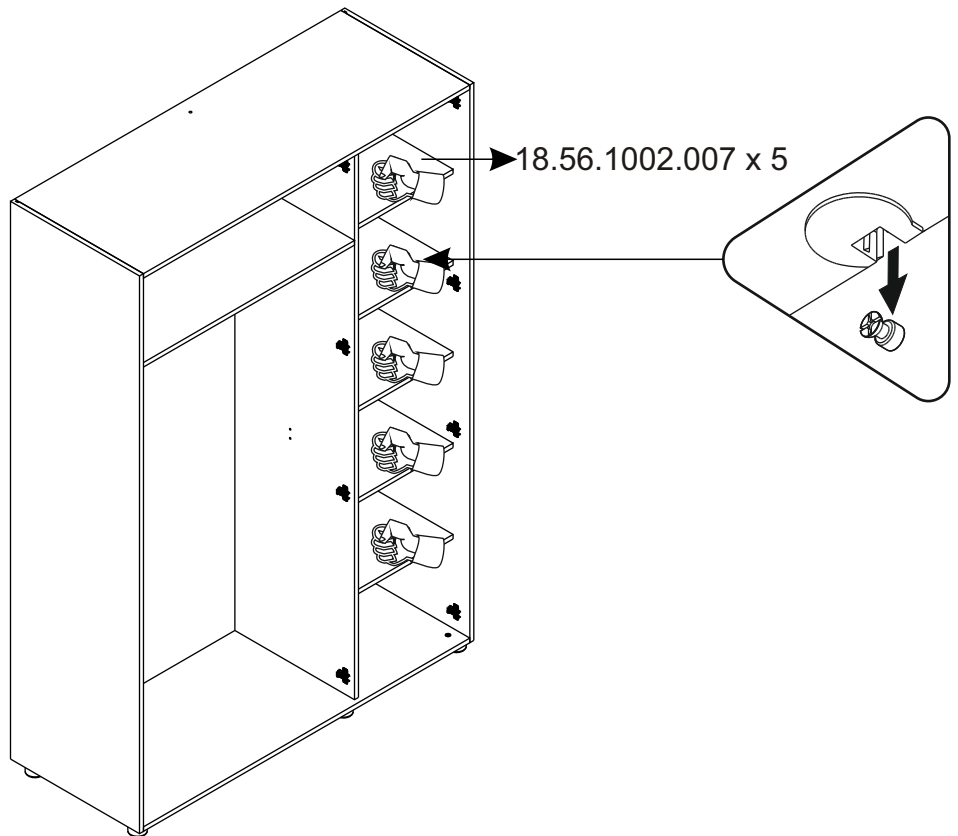
11

18.56.1002.006

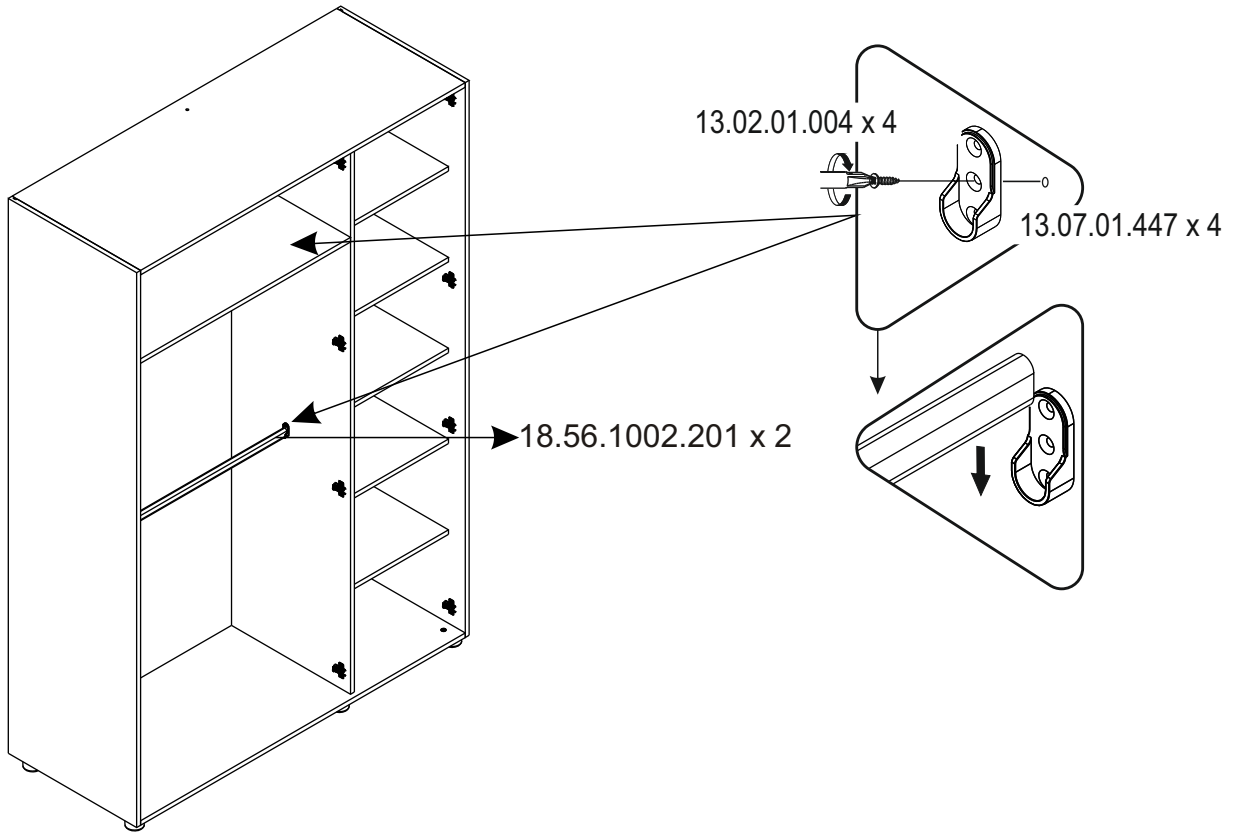


12

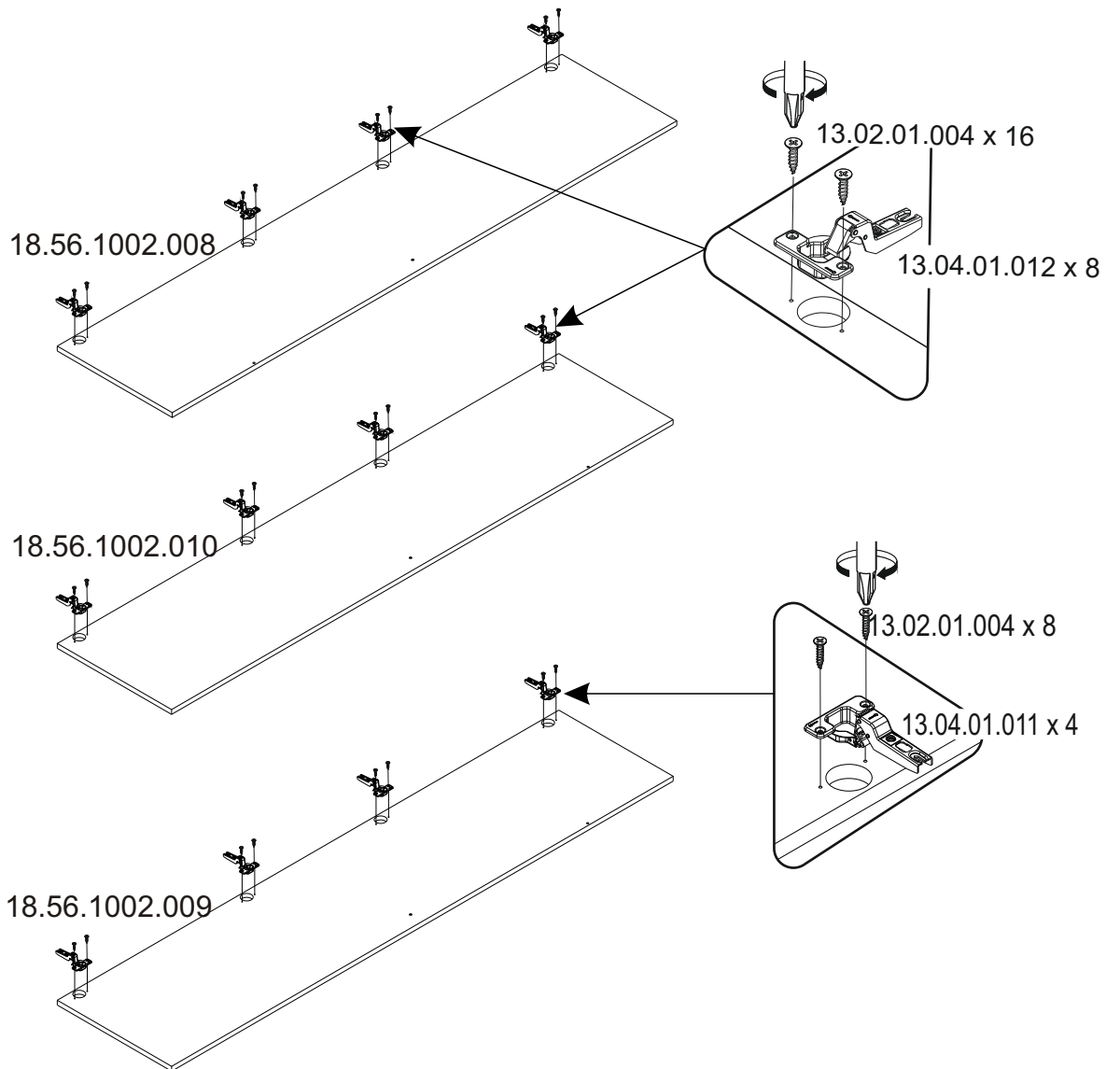
18.56.1002.007 x 5



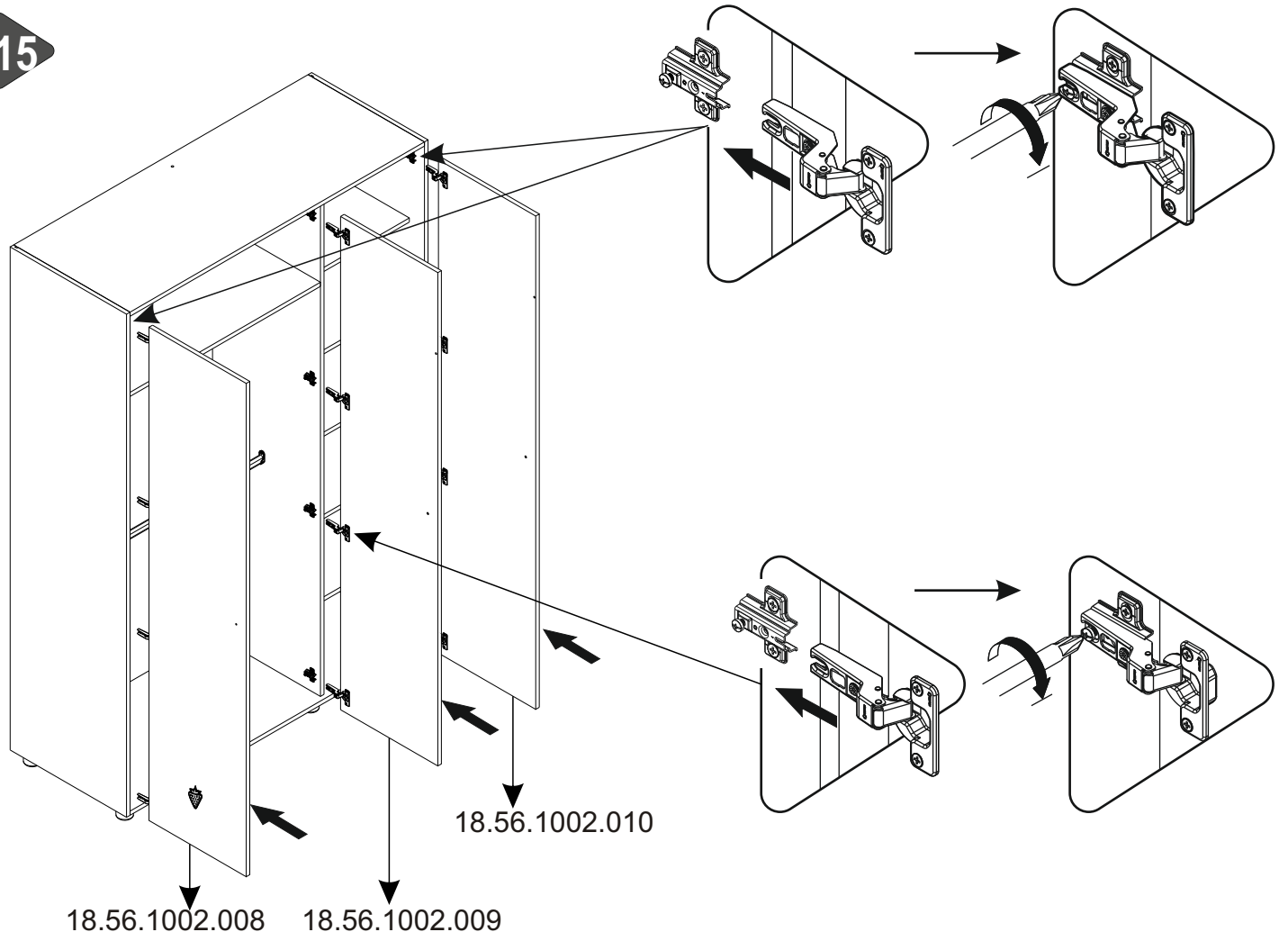
13



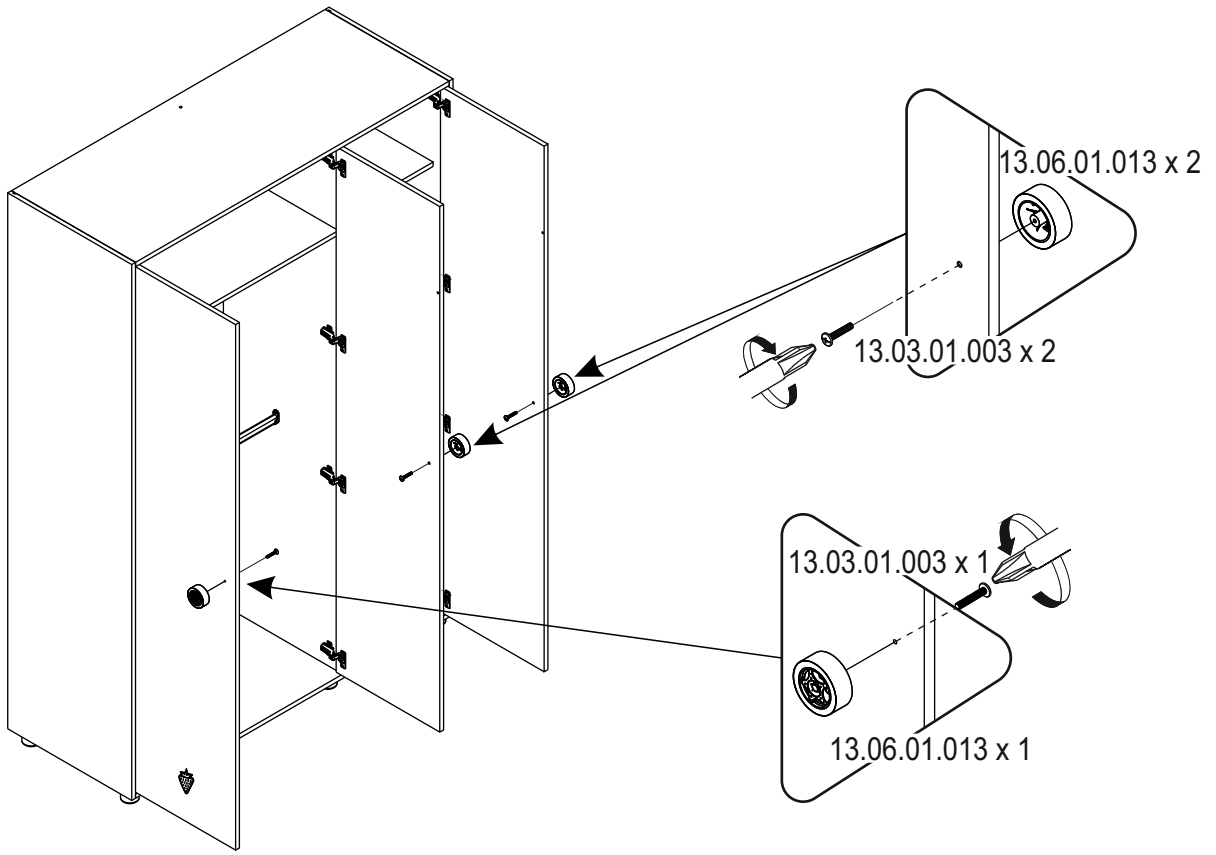
14

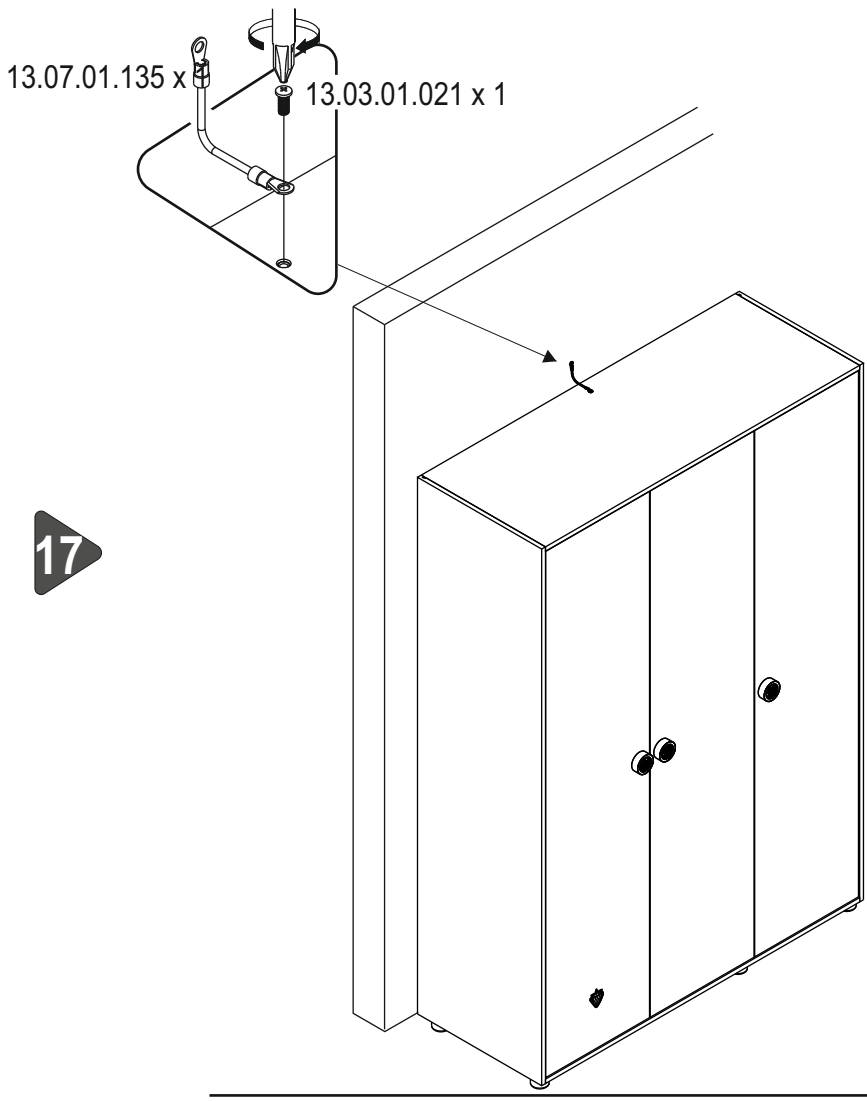


15

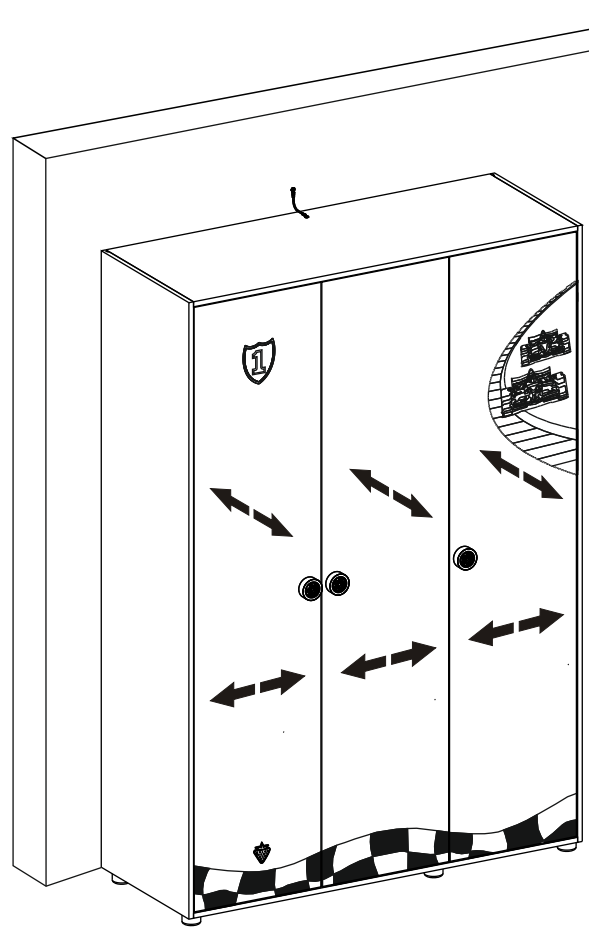
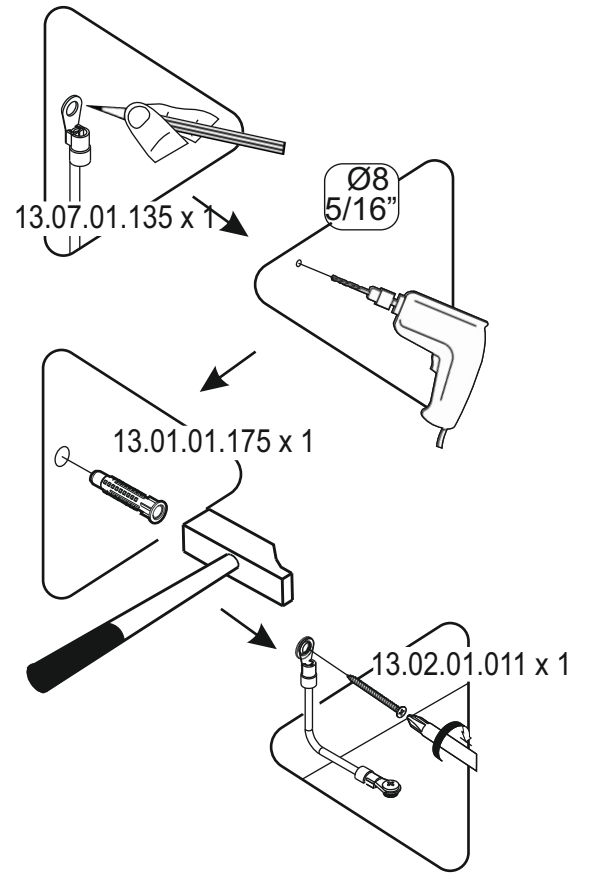


16





17



18

